

POWER MODULE

F-Clamp Desk Mount

General Features

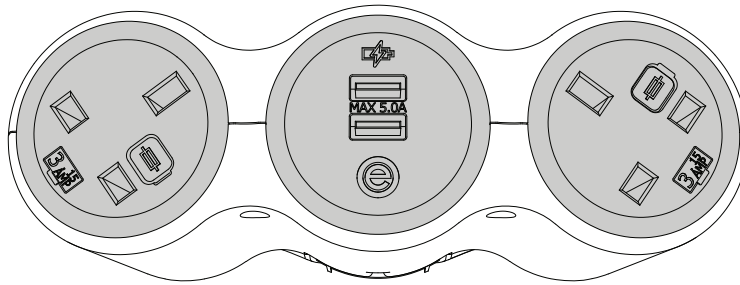
TUF Charger 5.0A

The Twin USB Fast (TUF) charger can charge up to two devices simultaneously.

UK BS1363 Socket

Fused 3.15A Socket
250V 13A

Integrated colour-coded fuse clip.
Angled to accommodate large direct plug transformers.

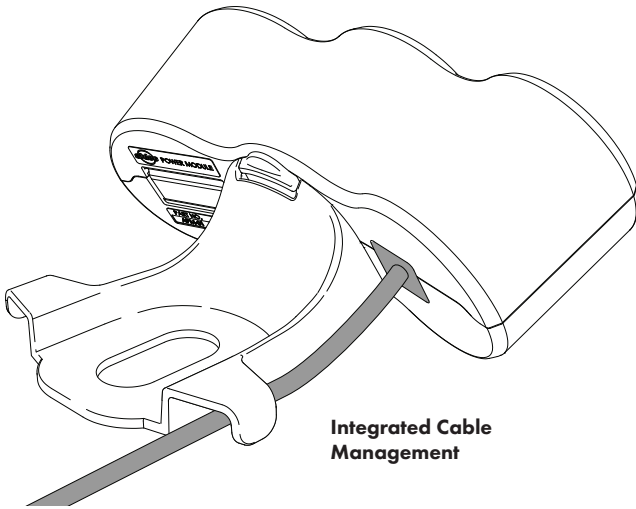


UK BS1363 Socket

Fused 3.15A Socket
250V 13A

Integrated colour-coded fuse clip.
Angled to accommodate large direct plug transformers.

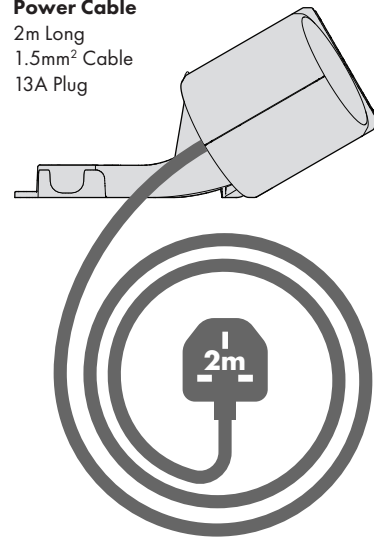
Outlets can be customised to have Systemax Data, Twin RJ45 Data, VGA or Twin Data USB connectors as requested.



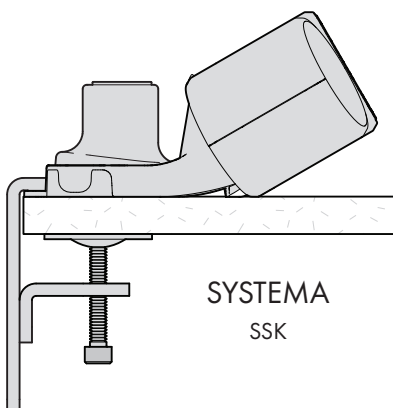
Integrated Cable Management

Power Cable

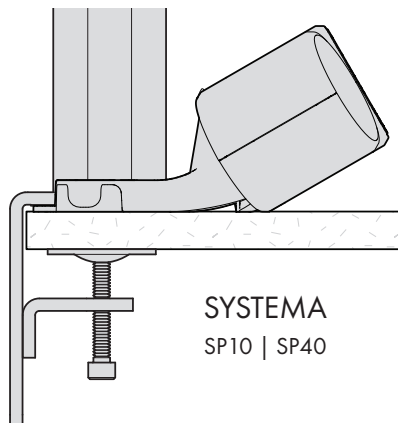
2m Long
1.5mm² Cable
13A Plug



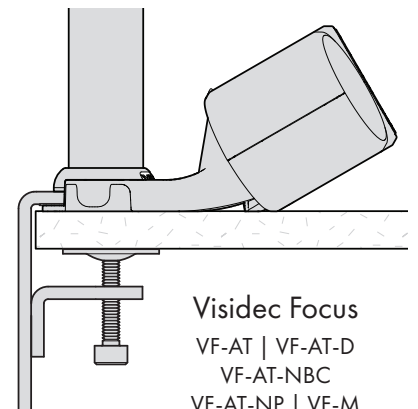
Compatibility



SYSTEMA
SSK



SYSTEMA
SP10 | SP40



Visidec Focus
VF-AT | VF-AT-D
VF-AT-NBC
VF-AT-NP | VF-M

Ratings & Approvals

Complies with BS5733

CE Marked by ATDEC

TUF Charger Safety Certifications

EN60950-1:2006+A11:2009 + A12:2011

TUF Charger EMC Certifications

EN55022:2006+A1:2007

EN61000-3-2:2006+A1/A2:2009

EN61000-3-3:2006

EN55024 -2010

TUF Charging Times

Indicative charging times
from 10% to 90%

Sony Xperia Z1	2.5hrs
iPhone 6S	1.5hrs
Samsung Galaxy Note10.1"	2.5hrs
iPad 3/4	3.75hrs

The first device plugged in will charge at the maximum rate. Subsequent devices plugged in will have second preference charging and may charge slower.

Compatibility

The TUF charger is compatible with standard devices such as **Apple iPhone** and **iPad** (incl. new Apple 2.4A), **Android** devices, **Samsung tablets**, **Blackberry** devices, **Windows** devices, as well as most other common USB-compatible charging devices not listed here.

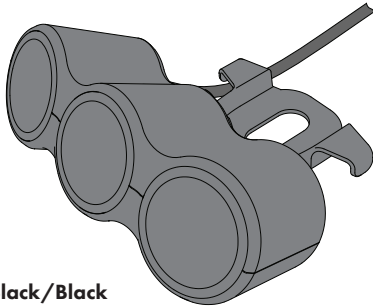
Warranty

12 Months Limited

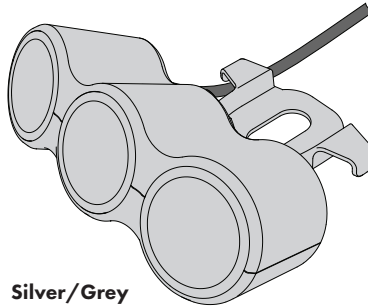
TUF Charger Specifications

USB charging outlets	2 x type A female
Charging current	Max 5.0A in total
AC voltage range	100-240V AC50/60Hz
AC input current	Max 0.25A at full load Less than 0.5mA at no load
Rated total output	25W max
Output voltage	5V DC +/- 5%
Standby power use	Less than 0.05W
Life expectancy	Minimum 5 years in normal use
USB connector	Gold Plated - min 5000 insertions
Over current protection	Yes - self regulating
Short circuit protection	Yes - Auto reset
Operating Temperature Range	0°C- 35°C
Max relative humidity	85% RH

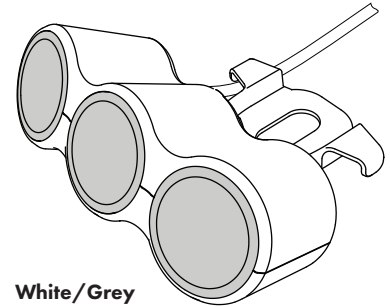
Colour Options



Black/Black
Black Cable/Plug
APM01B-004

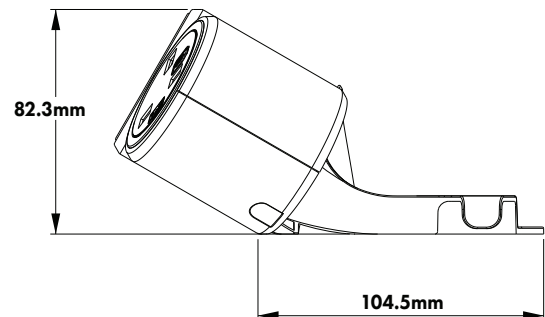
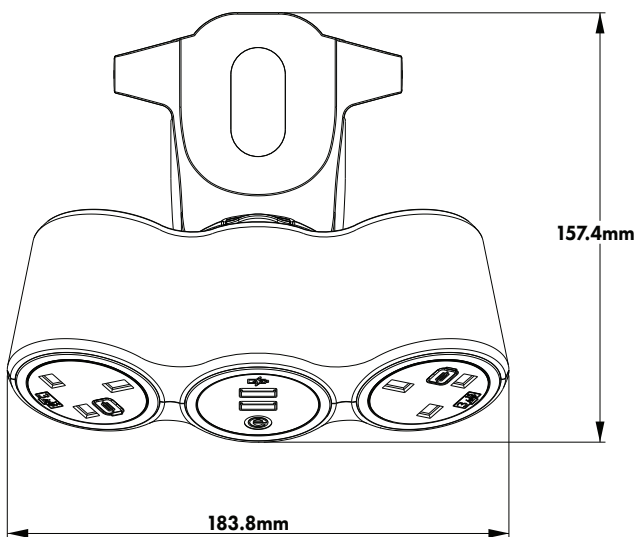


Silver/Grey
Black Cable/Plug
APM01B-005



White/Grey
White Cable/Plug
APM01B-006

Dimensions



No portion of this document or any artwork contained herein should be reproduced in any way without the express written consent of Atdec Pty Ltd. Due to continuing product development, the manufacturer reserves the right to alter specifications without notice. Published 02.03.16 ©