

SYSTEMA

Systema Range

General Features

Consist of:

2X SS
1X SP10

Colours:

Silver and Anodised Aluminium

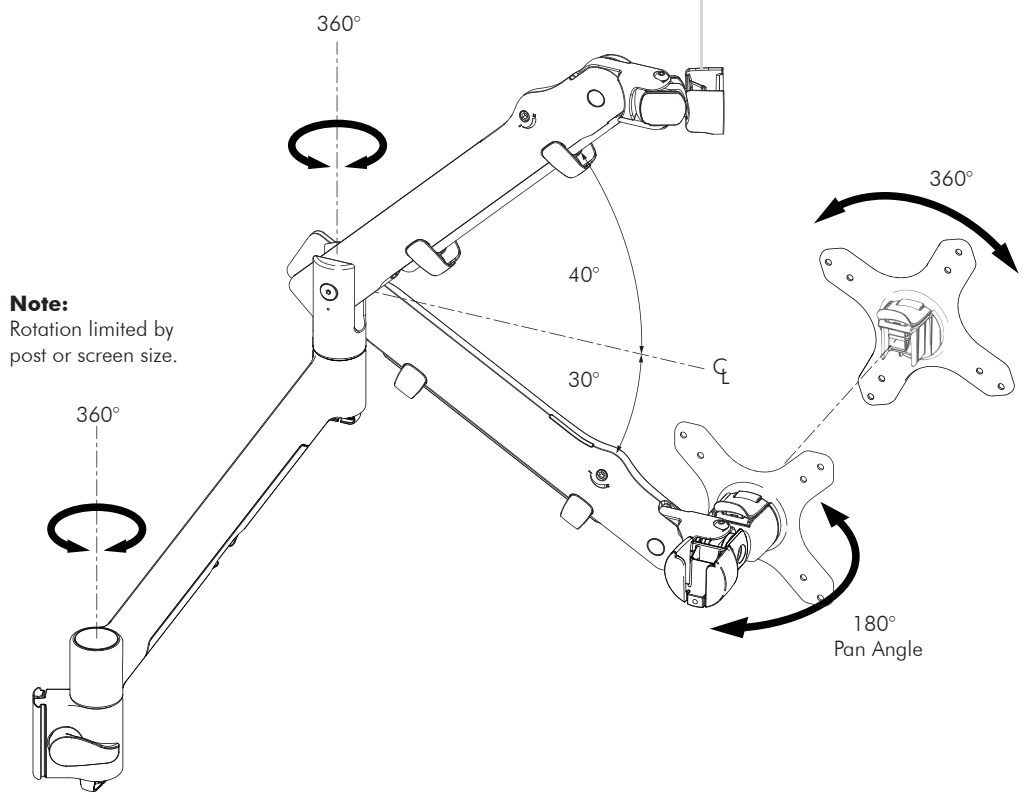
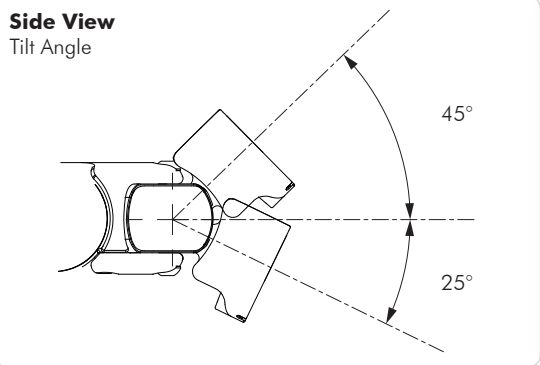
Warranty:

10 years limited

Max Load:

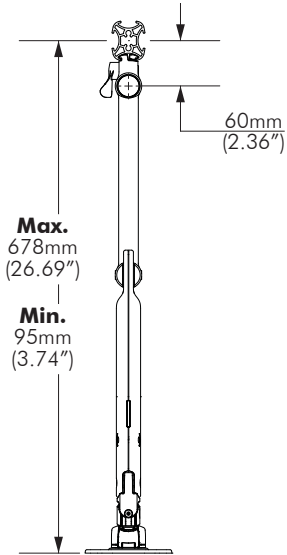
8kg (17.64 lbs) per arm

Range Of Movement

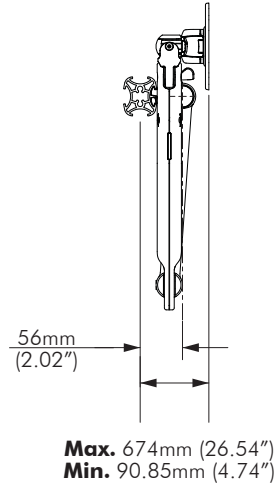


Monitor Spring Arm | Range of Movement - Arm Extension

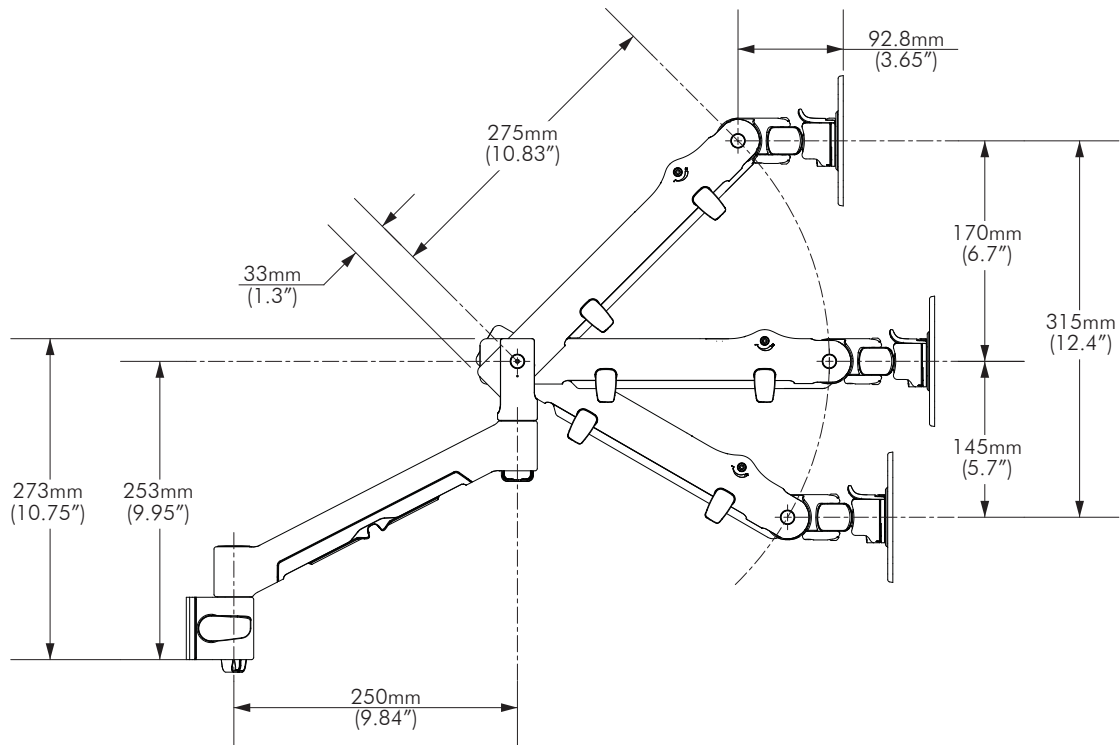
Front Attachment
(Maximum Extension shown)



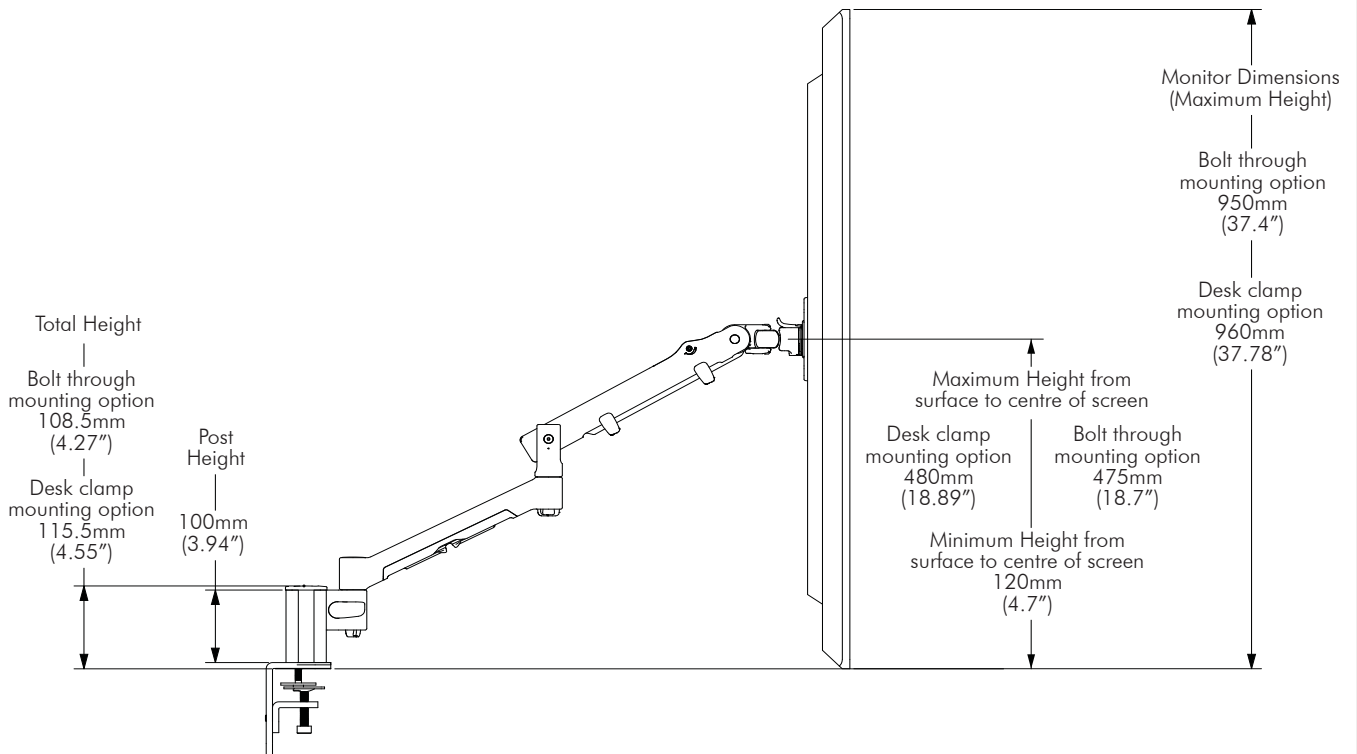
Side Attachment
(Minimum Extension shown)



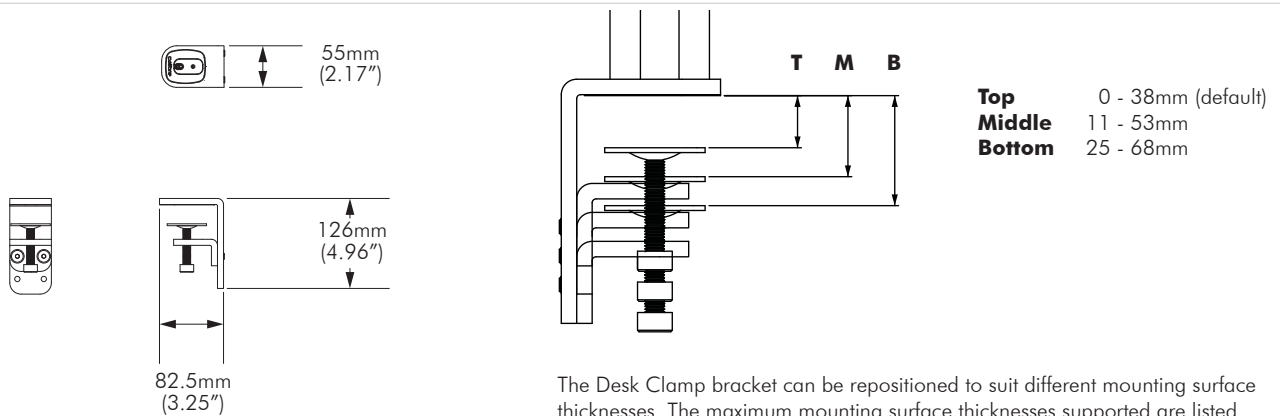
Monitor Spring Arm | Range of movement - Arm Dimensions



Side View



Desk Clamp Mounting Options-Dimensions



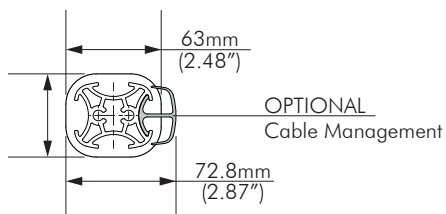
The Desk Clamp bracket can be repositioned to suit different mounting surface thicknesses. The maximum mounting surface thicknesses supported are listed above from the Top to Middle to Bottom Screw Holes.

Important! Any mounting surface must be capable of supporting the combined weight of all Systema products and attached monitors/devices. If in doubt, contact your mounting surface supplier.

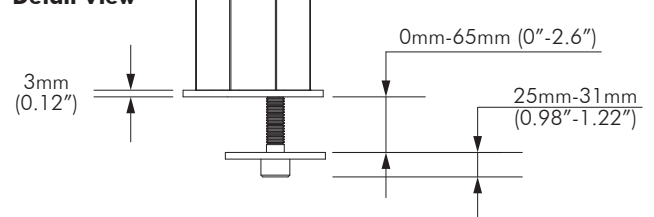
Bolt Through Mounting Options- Dimensions

Top View

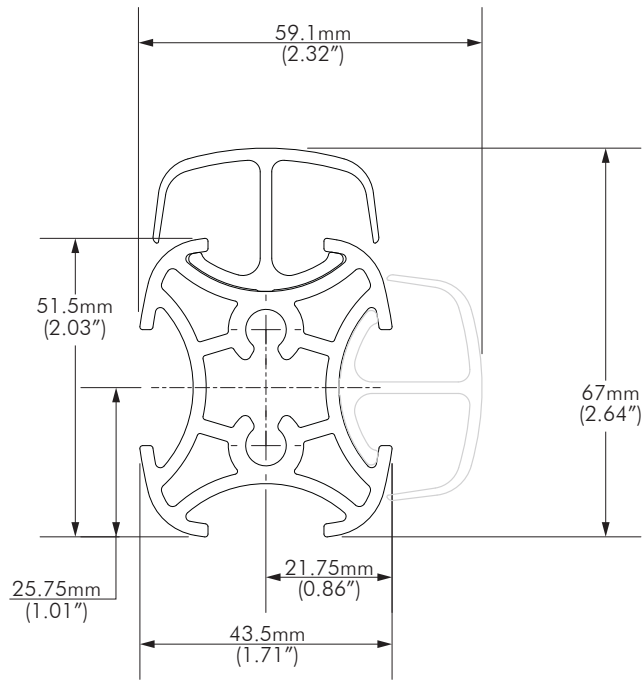
Bolt Through Desk Plate



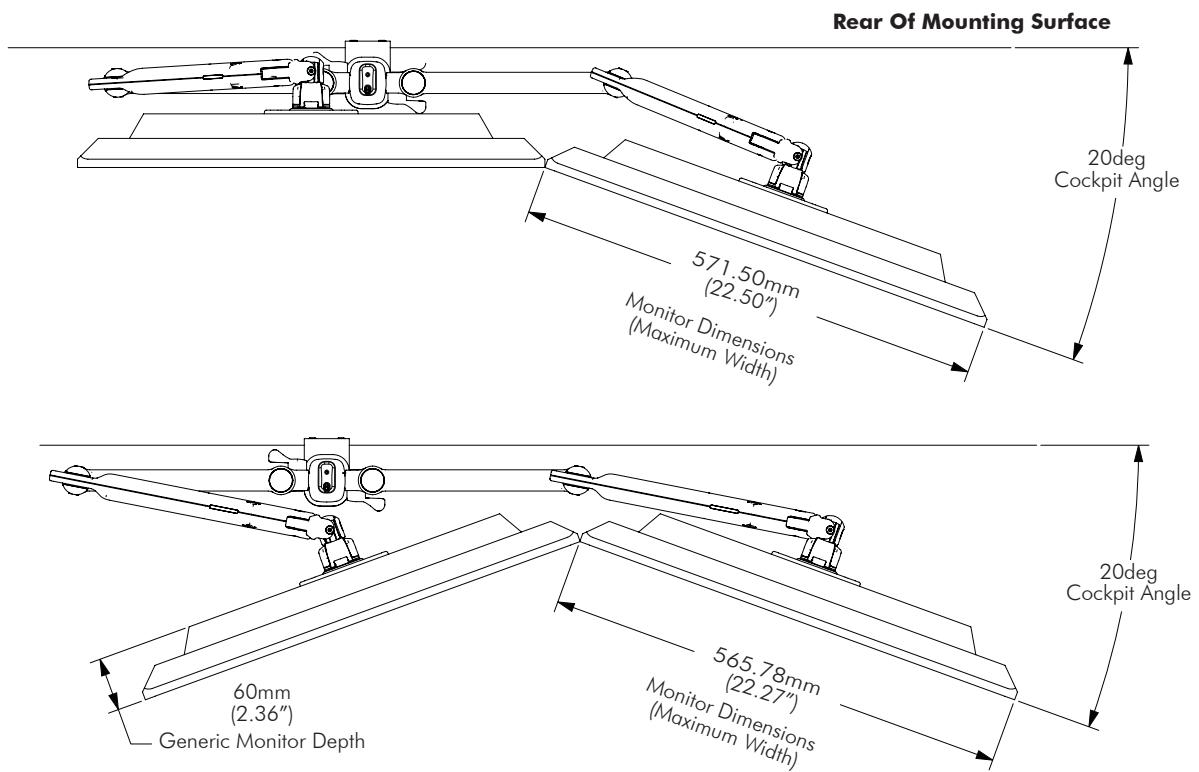
Detail View



Post Cross Section - Dimensions

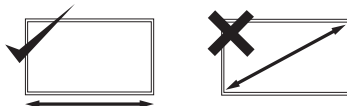


Plan View



Note:

- 1) All dimensions are dependant on the size and shape of the monitor used.
- 2) Monitor dimensions (maximum width) relates to the actual width of a monitor not the diagonal viewing size.



VESA Mounting Bracket

