

# SYSTEMA

Systema C-Clamp Range

## General Features

**Minimum and Maximum Load:**

1.5KG (3.3lbs) - 8KG (17.6 lbs)

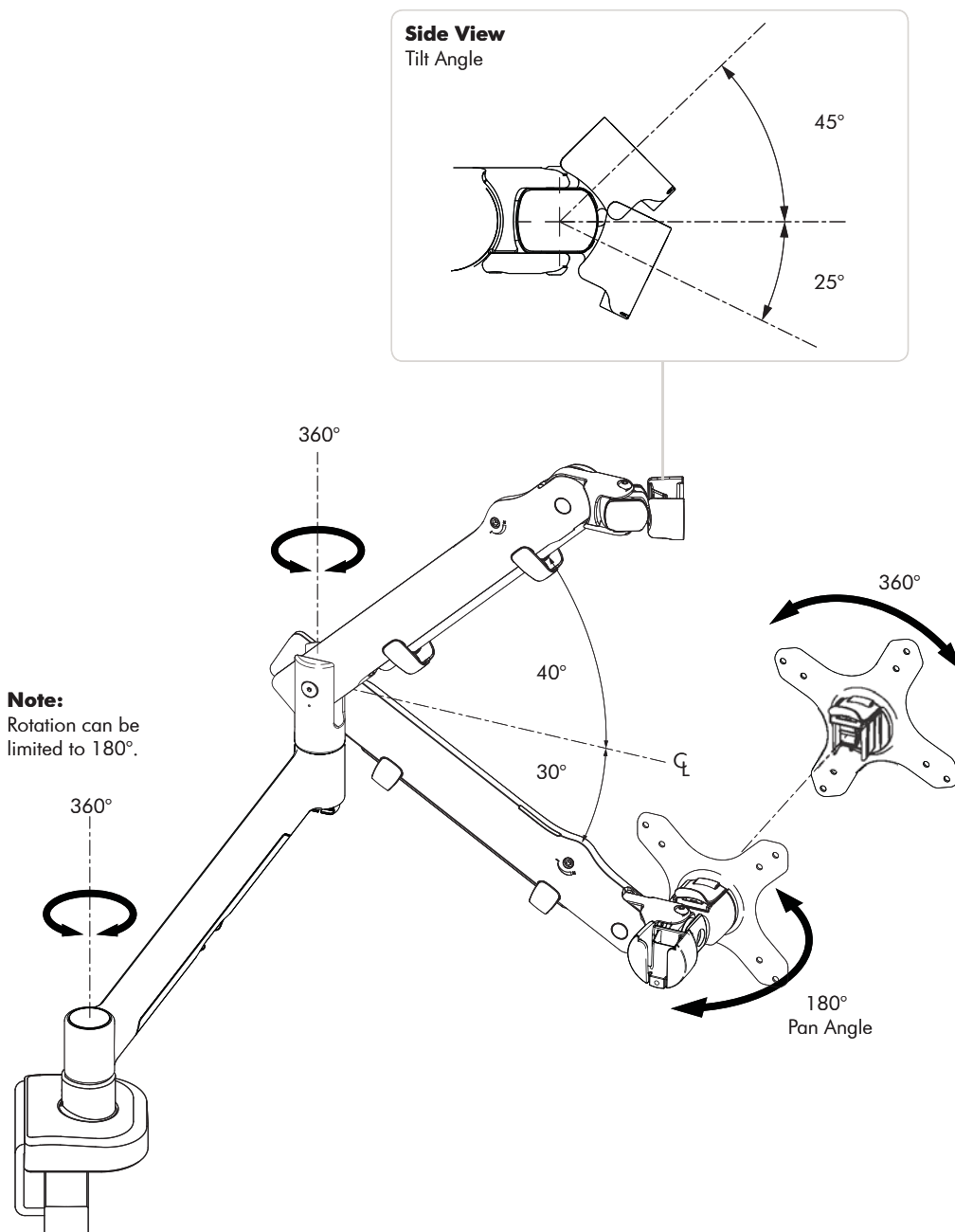
**Included Hardware:**

All fasteners and hardware included

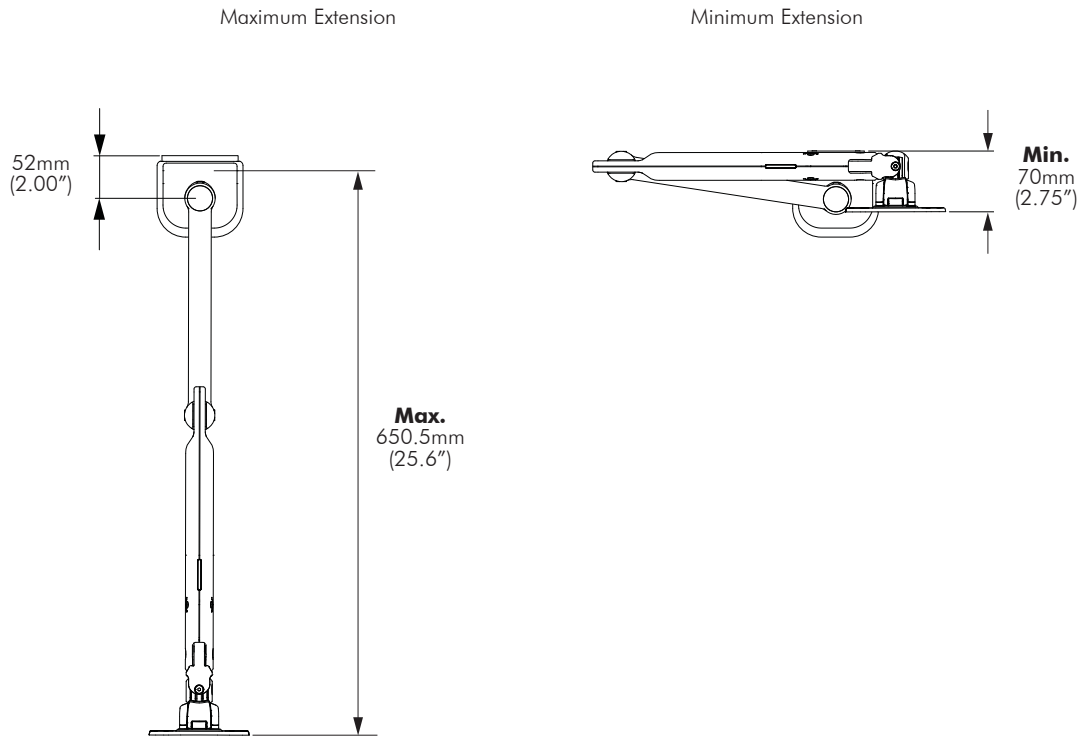
**Colours:**Silver, White, Black  
Polished Aluminium/Black  
Polished Aluminium/White**Warranty:**

10 years limited

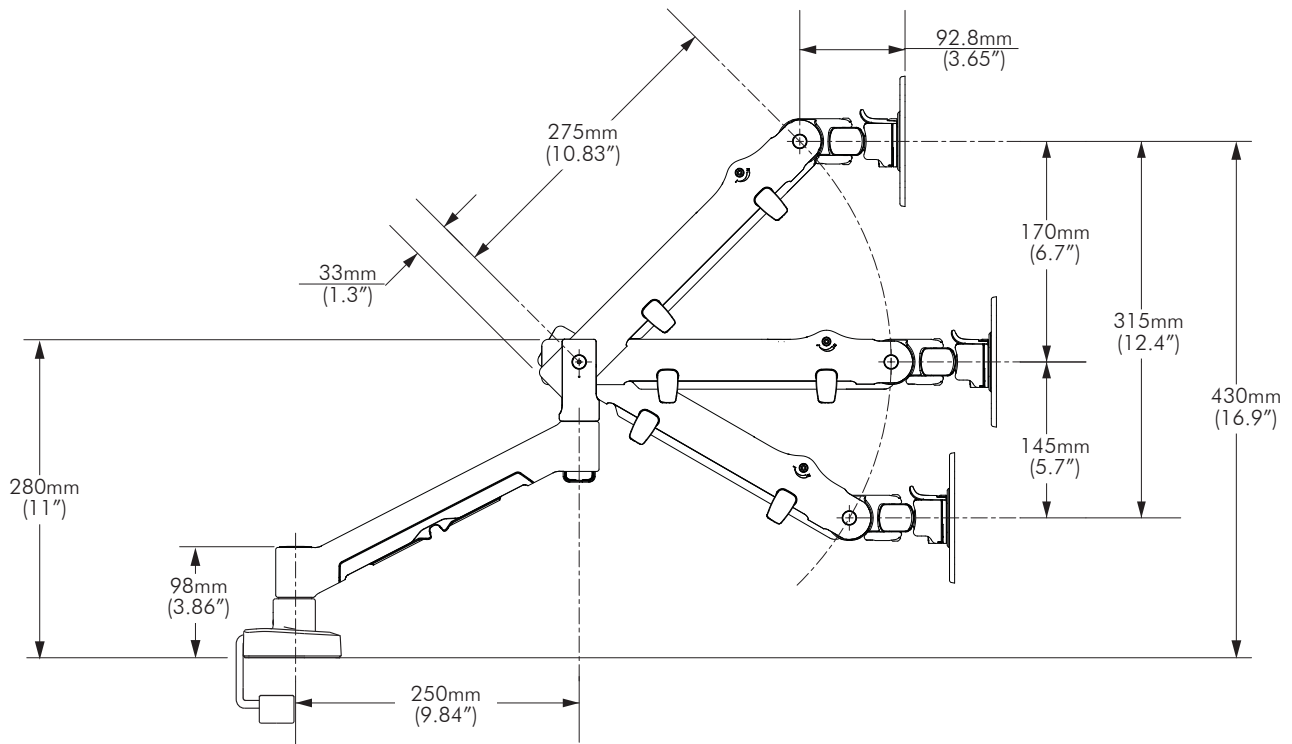
## Range of Movement - Rotation & Angular



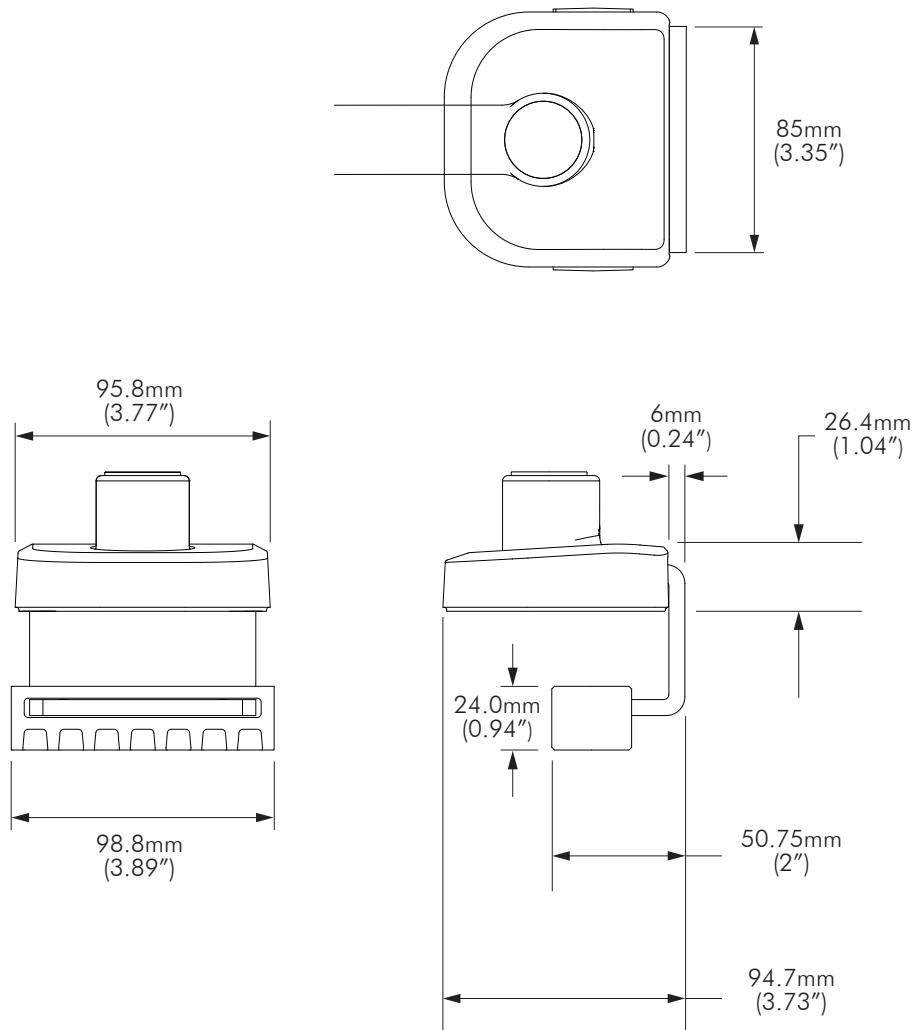
## Monitor Spring Arm | Range of Movement - Arm Extension



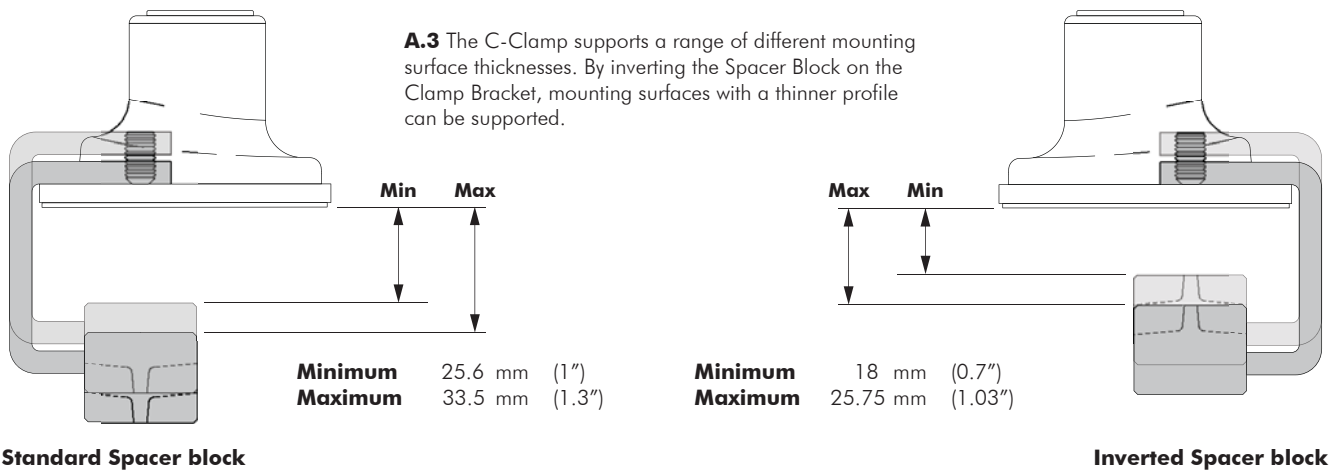
## Monitor Spring Arm | Range of movement - Arm Dimensions



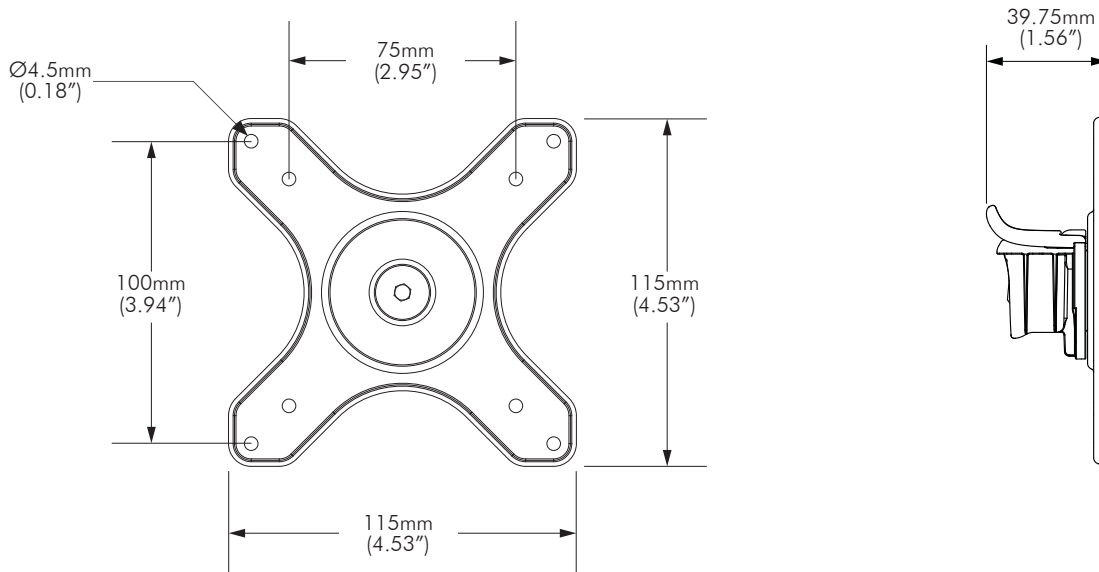
## Desk Clamp mounting option - Dimensions



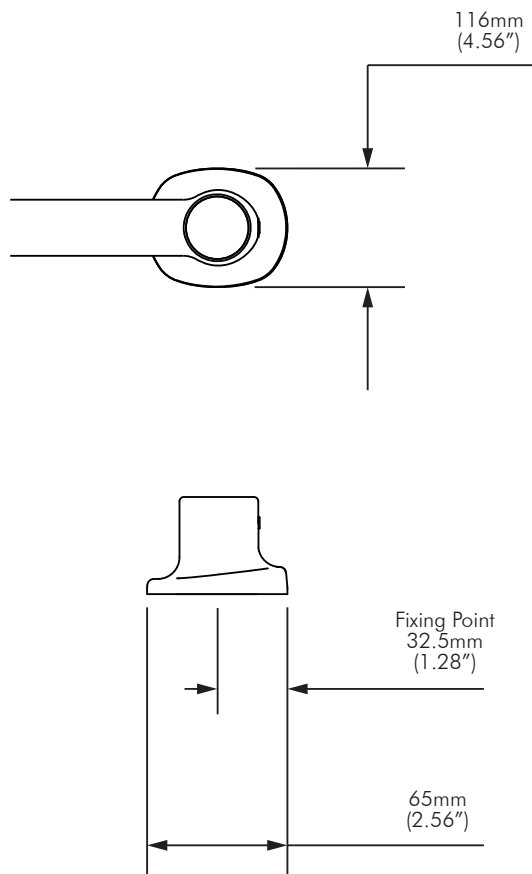
**Important!** Any mounting surface must be capable of supporting the combined weight of all Systema products and attached screens/devices. If in doubt, contact your mounting surface supplier.




## VESA Mounting Bracket



## Desk Clamp Mounting Options



Using the table below, choose a number of washers and the screw that correspond to your work surface thickness.

Work Surface Thickness	No. 	Bolt Through Screw
10-13mm	3	54mm
13-16mm	2	
16-36mm	1	80mm
36-39mm	3	
39-42mm	2	
42-63mm	1	

Bolt Spigot Housing to work surface.

