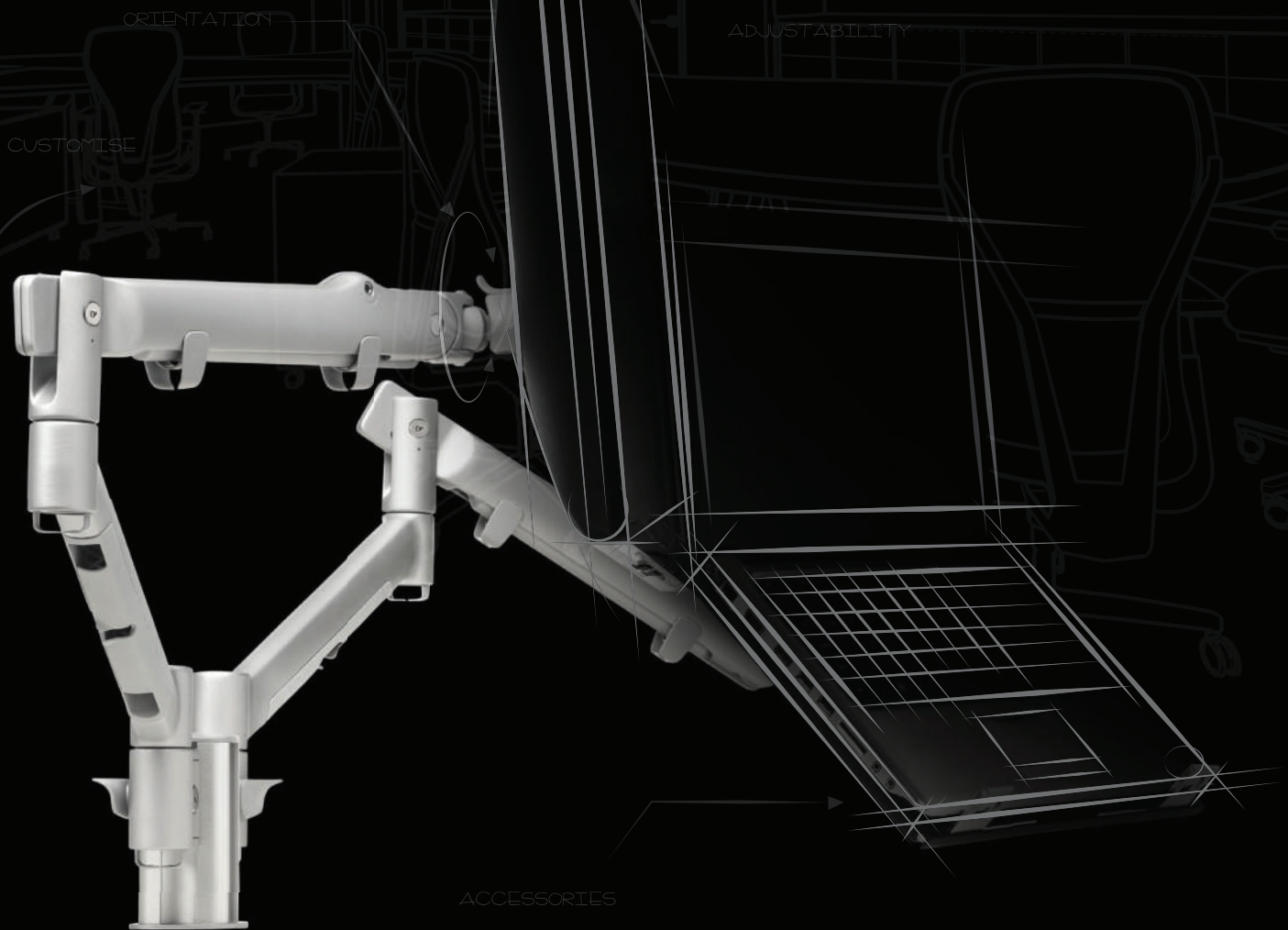


SYSTEMA

2015 Product Catalogue



by Atdec

AN **INNOVATIVE MOUNTING SYSTEM** THAT CAN BE INTEGRATED QUICKLY AND EASILY IN ANY OFFICE, STUDIO, CONTROL ROOM OR PUBLIC PLACE.



SYSTEMA is designed to create flexible, functional and ergonomic workspaces. Its premium styling and clever features combine to create the most versatile display mounting range on the market today. Its durable design is built to professional standards, is constructed from die-cast aluminium and steel for a long product life and is backed by a 10 year warranty.

The SYSTEMA modular mounting range is built to enhance your working environment for productivity and performance – giving you the control and confidence now and as your technology needs change over time.

CREATE

HOT-DESKING, ACTIVITY BASED WORKPLACES, MULTI-USER ENVIRONMENTS, MULTI-SCREEN OPTIONS
SYSTEMA allows you to create efficient and productive yet ergonomic, collaborative and comfortable workspaces. Create a multitude of solutions using our range of modular parts, allowing you to custom-build your perfect workspace. The range allows you to combine multiple displays with notebook and tablet devices allowing for virtually endless possibilities.

ADAPT

Flexible range of movement, effortless landscape to portrait monitor rotation and the ability to support touch screen displays makes SYSTEMA extremely adaptable to any working environment. Swap the arms at any time to change the configuration of the devices. For those on the move, swapping your screens with notebook trays is easy while stationary users can securely fix displays for added security and peace of mind.

UPGRADE

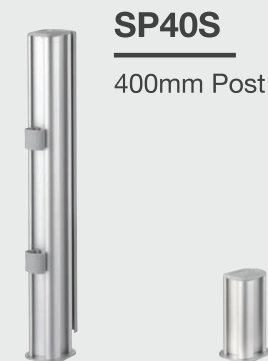
Technology is rapidly evolving and SYSTEMA ensures that investments made today will work for you in the future. The ability to upgrade your mounting configuration is an integral benefit of SYSTEMA. The range of interchangeable parts gives you the freedom to expand and upgrade your mount at any time to suit your needs.

CHOOSE

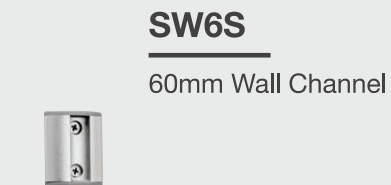
from our range of desk or wall mounting options. Desk Clamp and Bolt Through mounting options are both included with each desk post.

1

DESK MOUNTED POSTS



WALL CHANNELS

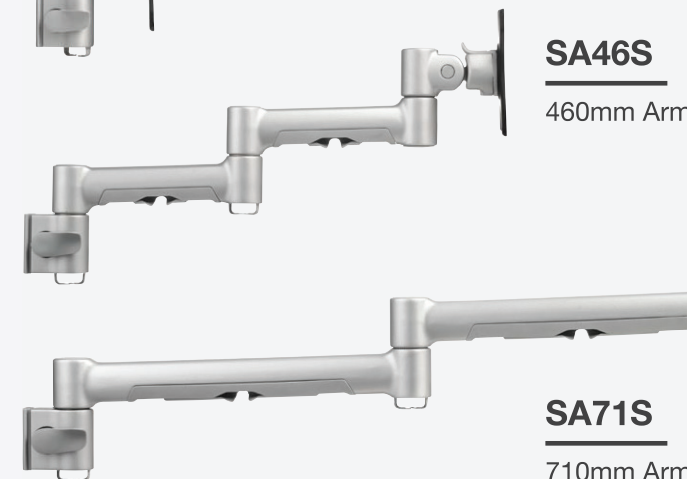


SELECT

the optimum combination of arms that fit your display motion range requirements. The universal post design allows the arm to be attached in any of the 4 post channels so you can arrange your displays in the best possible way.

2

MONITOR ARMS



CONSIDER

accessories such as notebook trays, tablet holders and power modules are available to enhance your mounting solution. These accessories can be added to your SYSTEMA mount at any time.

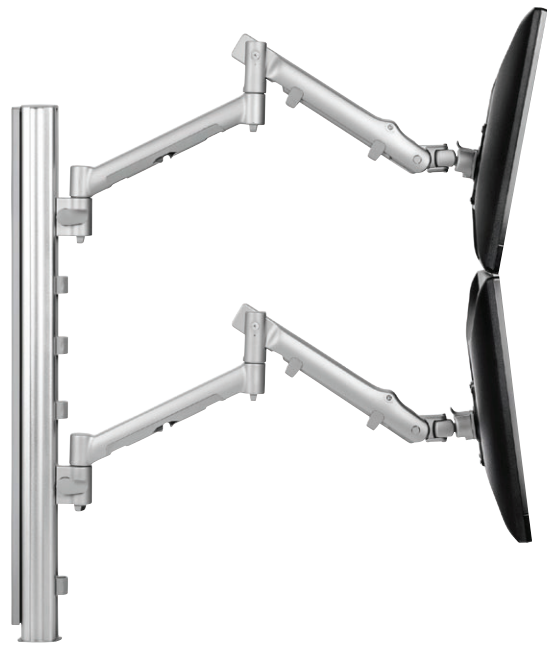
3

ACCESSORIES



THINK

about future upgrades. If you are planning to expand you may want to select parts that allow additional screens to be attached.



SINGLE DISPLAY DESK MOUNT

Single display spring assisted desk mount with optional power module accessory

SSKPB

Single Display Desk Mount
Polished/Black



EASY INSTALLATION



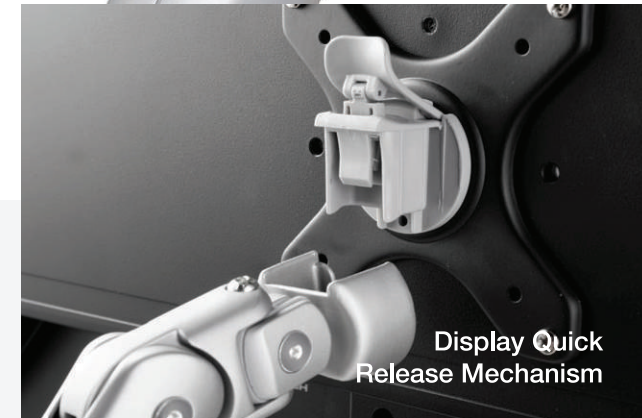
Dual Plate
Desk Clamp



Advanced Cable
Management



Visual Spring
Tension Gauge



Display Quick
Release Mechanism



Quick Lock Lever

COLOUR OPTIONS

A range of colour options are available for all SYSTEMA components allowing the range to adapt to any decor.



SSKW
White



SSKS
Silver



SSKB
Black



SSKPB
Polished
Black



SSKPW
Polished
White

4

5

WORKPLACE FUNCTIONS

CORPORATE OFFICE

Whether it's a single display or multi-user workstation SYSTEMA provides an ergonomic and flexible solution.

ACTIVITY BASED WORKSPACES,
HOT-DESKING, TRADITIONAL
WORKSTATIONS, PRESENTATION



PRESENTATION & DISPLAY

The simple and secure lever-action attachment and release system locks the modular pieces into position.

POINT OF SALE, PUBLIC PRESENTATION,
BANKS, INTERACTIVE KIOSKS



CONTROL ROOMS

SYSTEMA's range of height and viewing angle adjustments, achieves a highly ergonomic solution in intensive multi-screen environments.

TECHNICAL MULTI-SCREEN
CONFIGURATIONS, SURVEILLANCE,
TRANSPORT CONTROL ROOMS,
FINANCIAL APPLICATIONS



STYLISH & CONTEMPORARY, **SYSTEMA** COMPLIMENTS THE
MODERN WORKPLACE

RESPONSIBLE DESIGN

The SYSTEMA range is designed to minimize its impact on the environment. As such the range has been designed for disassembly and manufactured from recyclable materials so that at the end of its life the product can be taken apart easily for recycling. It is designed for durability, strength and extended use. The SYSTEMA range is tested through 10,000 repetitive movements to ensure each mount will survive intensive use. The future proof design of the SYSTEMA range also helps to minimize its impact on the environment by reducing the need to replace entire products as technology changes.



SYSTEMA

by Atdec

Phone: +44 (0) 3330 117725

Email: sales@atdec.co.uk

Web: www.atdec.co.uk

Atdec mounts are designed, developed and tested in Australia. We manufacture an extensive range of products for a variety of user types and situations. While all efforts have been made to ensure the information in this brochure was correct as at the date of printing, we reserve the right to change specifications without notice. Please refer to the website for a full range along with the latest details on specifications and product compatibility. Atdec & Visidec are the registered trademarks with all rights reserved. Copyright August 2015