



TECHNICAL SPECIFICATION SHEET

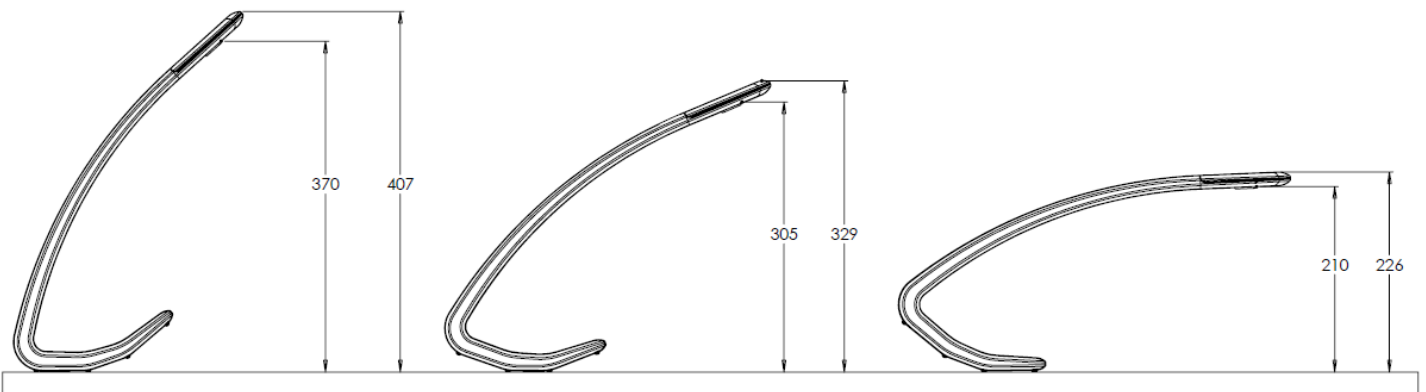
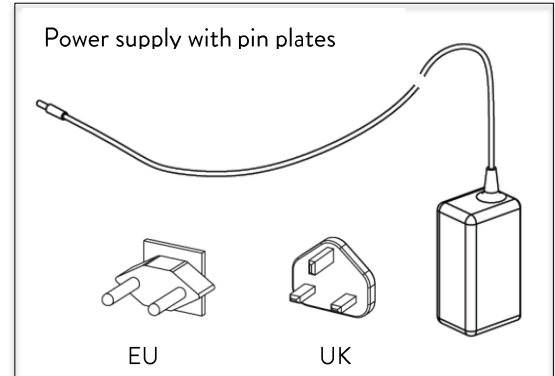
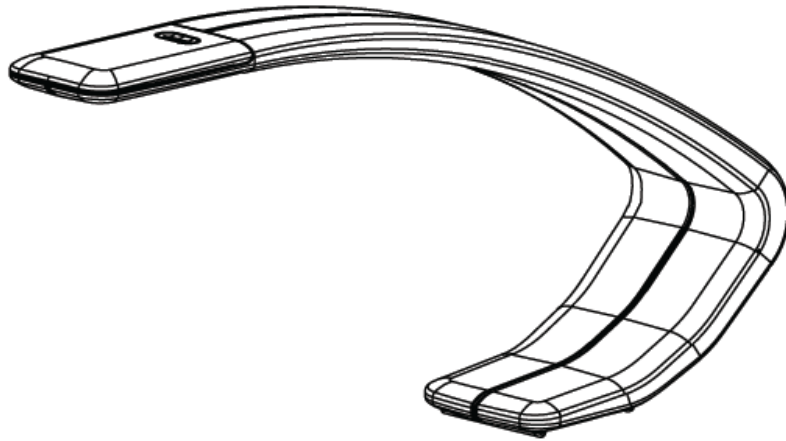
PRODUCT NAME: Amble Task Light

PRODUCT CODE: AMB/001/001

Doc Rev 1.

Product Rev #A

26.05.17 KO



Dimensions are in millimetres

KEY FEATURES

- A fresh, innovative approach to task lighting.
- Unique and strikingly elegant visual design.
- Ingenious single-piece design swivels, slides and tilts – with no articulating joints.
- Gravity-actuated shade prevents direct glare in high adjustment positions.
- High power, long life LED light source.
- Touch switch for on/off.
- Touch-and-hold to adjust dimming (light output adjustable from 100% to 20%.)
- ‘Powersave’ auto-off (switches off light after 10 hours of inactivity.)
- Low-voltage - powered by in-plug power supply with slimline connection cable.
- Power supply offers interchangeable pin plates for UK and European pin arrangements.

KEY SPECIFICATIONS

Physical Specifications:

Product dimensions:	442mm x 221mm x 84mm approx
Product (net) weight:	1.2kg (light only.) 1.35kg (including power supply.)
Product colour:	White
Total product recyclable:	98%

Lighting Specifications:

Light source:	1 x High Power LED
Light output:	206 lumens max, dimmable from 100% to 20%
Power consumption:	3.3 system watts
Light efficacy:	63 lm/W
CRI:	83ra
Colour temperature:	3500K
Lifespan:	60,000+ hours
Powersave auto-off:	After 10 hours of inactivity.

Power Supply:

Power supply:	In-plug power transformer (UK & EU pin-plate options.)
Power cable length:	3m approx
Mains power input:	AC 100-240V, 50/60Hz, 0.5A
Power output:	DC 24V, 0.75A

LOGISTICAL

Box contains:	Amble task light, power supply & cable, plug pin plates.
Product net weight:	1.35 kg
Box dims (HxWxD)	100 x 250 x 530 mm
Box gross weight:	2 kg
Carton quantity:	n/a, product is supplied individually packaged with no outer carton.
Master dims (HxWxD):	n/a
Master weight:	n/a
Country of origin:	USA

ORDERING INFORMATION

Product Description	Product code	Colour
Amble Task Light – UK/EU version	AMB/001/001	/W White

WARRANTY

Warranty Term	2 years
---------------	---------

COMPLIANCE & SAFETY CERTIFICATION

Amble carries the CE mark and is in conformity with the following standards:

60598-2-4	Portable Luminaires
61347 -2-13	LED Control Gear
62031	LED Modules
62471	Photobiological Safety
61000-4-2; 61000-4-5	ESD
61000-4-3	Radiated Immunity
61000-4-11	DIPS Testing

Following the Low Voltage, EMV and RoHS Directives

CLEANING, STORAGE & MAINTENANCE

Routine servicing:	Periodic inspection
Service components:	None available
Cleaning & Maintenance:	Damp cloth, no abrasives, no solvents to be used on the cosmetic surfaces. IMPORTANT: Always disconnect from power source when cleaning.
Handling & Storage:	Do not drop or expose to moisture

While every effort is made to ensure the accuracy of our technical information, Colebrook Bosson Saunders (Products) Ltd accept no liability for the accuracy of the information contained in this document and reserve the right to modify the specifications or data contained herein without prior notification.