

Platforms

Design by Roger Webb Associates


Modular	3 Module Range	Power Options	Storage	Reconfigurable & Customisable	Educational Product	Auditorium	Socialising

Simple, flexible and modular 2-tiered auditorium seating, which can be configured to create learning and presenting environments, with in-built under seat storage as standard. Available with seat and scatter cushions for additional comfort, power options for connectivity, protective floor covering and casters for mobility.

Product Information


- 3 straight or corner modules available
- 16mm birch veneer plywood construction
- Supplied partly assembled with completely tool-free assembly of modules and configurations
- Convenient carry handles enable modules to be reconfigured easily and are utilised to connect modules together using a dedicated bracket and thumb-turn fixings
- In-built under seat storage
- Seat cushions available in all fabric groups
- Neutral grey Interface carpet or Bolon vinyl floor covering available on the first tier behind upholstery to resist marking and improve grip
- Casters available for easy mobility
- Power units available

Modules




Product Code: SPL1
Description: 1350mm module with seat cushions and under-seat storage

Dimensions	
Height	834mm
Width	1,350mm
Depth	1,155mm
Seat Height	434/834mm
Seat Depth	368mm
Weight	74kg



Product Code: SPL2
Description: 1540mm module with seat cushions and under-seat storage


Dimensions	
Height	834mm
Width	1,540mm
Depth	1,155mm
Seat Height	434/834mm
Seat Depth	368mm
Weight	82kg



Product Code: SPL3
Description: Corner module with seat cushions

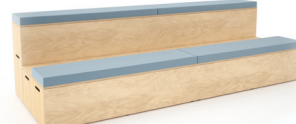
Dimensions	
Height	834mm
Width	1,155mm
Depth	1,155mm
Seat Height	434/834mm
Seat Depth	368mm
Weight	85kg

Configurations




Configuration: L-shape
Modules: 2 x SPL1, 1 x SPL3

Dimensions	
Height	834mm
Width	2,505mm
Depth	2,505mm
Seat Height	433/834mm
Seat Depth	368mm
Weight	381kg




Configuration: Straight
Modules: 2 x SPL1

Dimensions	
Height	834mm
Width	2,700mm
Depth	1,155mm
Seat Height	433/834mm
Seat Depth	368mm
Weight	148kg



Configuration: Asymmetric L-shape
Modules: 1 x SPL1, 2 x SPL2, 1 x SPL3

Dimensions	
Height	834mm
Width	4,235mm
Depth	2,505mm
Seat Height	433/834mm
Seat Depth	368mm
Weight	323kg



Configuration: U-shape
Modules: 2 x SPL1, 1 x SPL2, 2 x SPL3

Dimensions	
Height	834mm
Width	3,850mm
Depth	2,505mm
Seat Height	433/834mm
Seat Depth	368mm
Weight	400kg