

Tauro

komac

Tauro



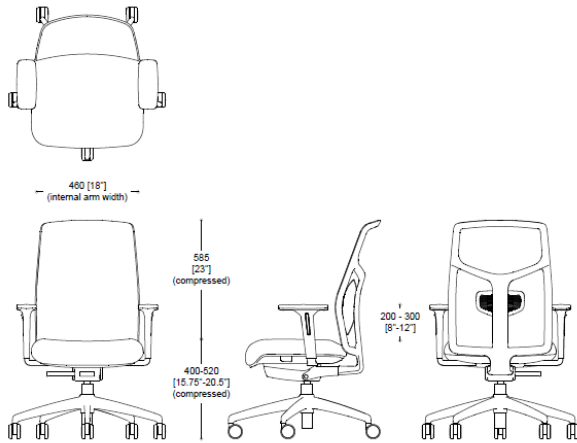
Product Sheet



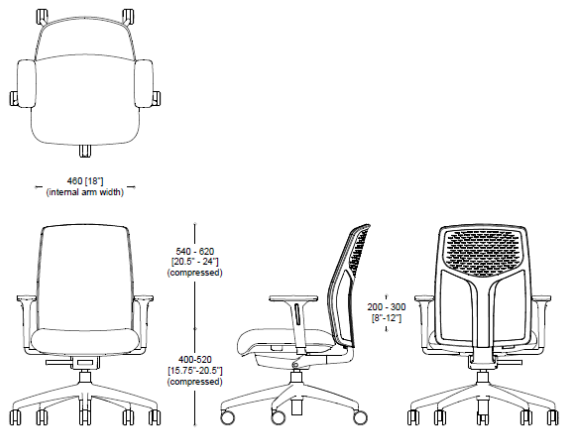
Product features

- Full mesh or part mesh back
- Black or chalk frame
- Integral height adjustable lumbar support
- Weight balance mechanism with tension adjustment
- 65mm seat slide

Task Seating



TAU/1



TAU/2

Environmental Product Breakdown - TAU/1 data shown

Materials	Weight (kg)	Weight (%)	Recycled Content (%)	Recyclability (%)
Polyamide	4.286	39.21	0	100
Polyester	0.2	1.83	100	100
Polypropylene	0.816	7.47	0	100
Polyurthane	0.8	7.32	0	0
PP/Oil/Steel	1.055	9.65	0	0
Recycled Polyamide	1.213	11.10	100	100
Steel	2.5595	23.42	45	100

Q

Ecological Credentials 

Recycled Content (%)	Recyclability (%)
Recycled Content	33.66
Recyclability	83.03
Returnable Packaging	CFC & HCFC Free
Carbon Neutral	Yes
Climate Neutral	BS EN ISO 14001

CO² Measure 

The total CO² measure has been officially verified by FIRA and includes utilities and transport from suppliers.

CO² per 1000 units - 47.83 tonnes
CO² per unit - 0.048 tonnes

UK Global HQ
Boss Drive
Dudley
West Midlands, DY2 8SZ
T +44 (0) 1384 455570
E sales@bossdesign.com

London Showroom
7 Clerkenwell Road
London EC1M 5PA
T +44 (0) 20 7253 0364
bossdesign.com