

Steelforce Pro 370 SLS HC

Single step, sit-stand, height manually adjustable

Height (mm)	min. 690 / max. 1160
Stroke (mm)	470
Speed (mm/s)	5 mm / rotation
Width (mm)	min. 1100 / max. 1700
Length of feet (mm)	750
Column size (mm)	70 x 70
Dynamic capacity (kg)	60
Noise dB (A)	<55
Gross Weight (kg)	30

Legs, feet, top supports and crossbars made of powder-coated steel.
Spindle lifting system.

Surface colour

Silver	●	SLS44000619X98EU
White	○	SLS44000619X29EU
Black	●	SLS44000619X90EU

Purchase code

Packing dimension single unit

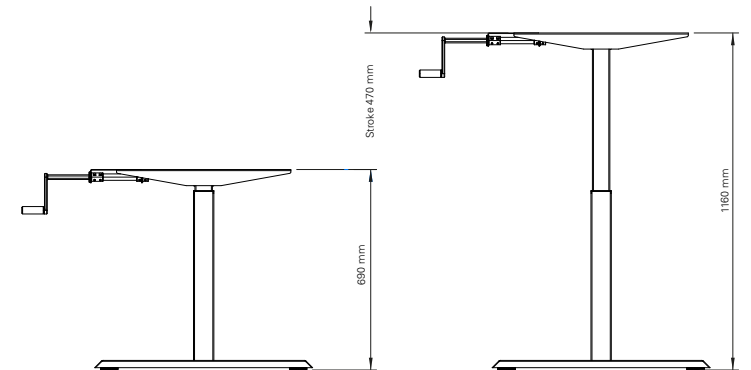
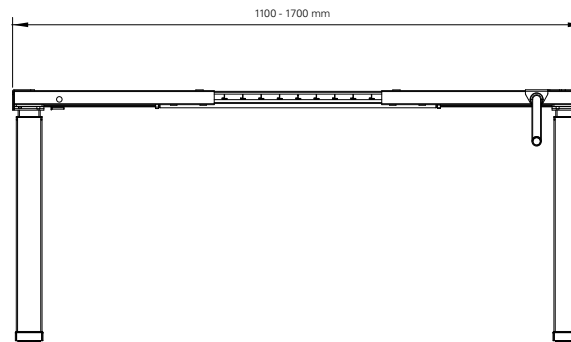
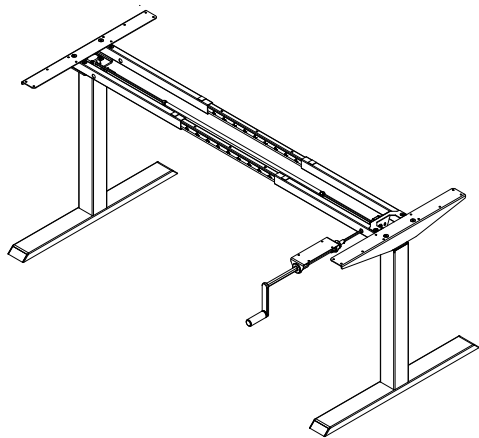
960 x 230 x 255 (LxWxH - mm)

Packing dimension pallet

1140 x 1130 x 1060 (LxWxH - mm) (20 frames)

Accessories

Please see the accessories section to personalise your height adjustable frame.



actiforce