

Steelforce Pro 470 Bench

Dual step, sit-stand height electrically adjustable

Height (mm)	min. 615 / max. 1275
Stroke (mm)	660
Speed (mm/s)	39
Width (mm)	min. 1100 / max. 1700
Column size (mm)	70 x 70
Dynamic capacity (kg)	80
Noise dB(A)	<55
Power	V 220 - 240
Plug type	Replaceable
Gross Weight (kg)	60

Legs, feet, top supports & crossbars made of powder coated steel.
Softstart & -stop function.
Spindle lifting system & low energy consumption.

Surface color		Purchase code
Silver	●	SLS13400011383EU-0
White	○	SLS13400011329EU-0

Packing dimension single unit (2 boxes)

Box 1. 970 x 280 x 330 (LxWxH - mm)
Box 2. 970 x 280 x 330 (LxWxH - mm)

Packing dimension pallet (6 frames)

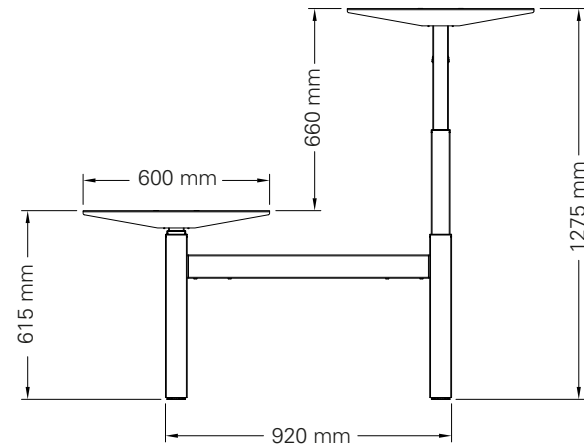
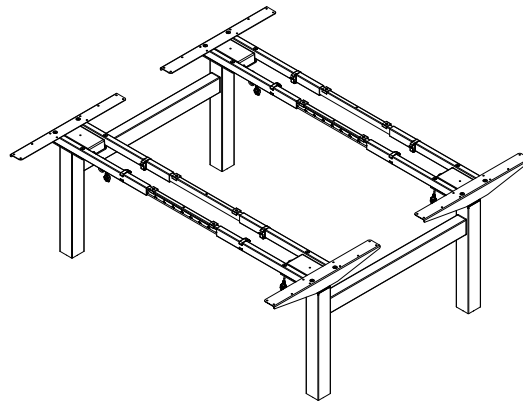
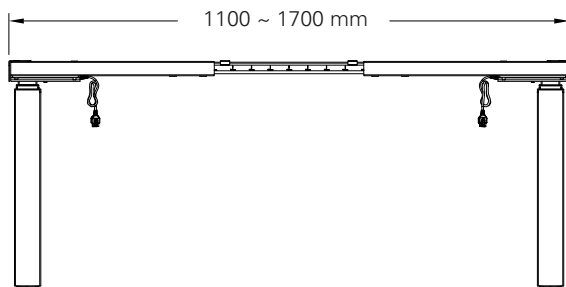
1140 x 1130 x 1130 (LxWxH - mm)

Accessories

Please see the accessories section to personalise your height adjustable frame.



Tested according to IEC 60335-1 by Intertek.



actiforce