

Wheelie Wall

Specification Guide and Pricelist



Wheelie Wall Pre-Built Contents



Pre-Built Type 1

Page 4



Pre-Built Type 2

Page 6



Pre-Built Type 3

Page 8



Pre-Built Type 4

Page 10



Pre-Built Type 5

Page 12



Pre-Built Type 6

Page 14



Pre-Built Type 7

Page 16



Pre-Built Type 8

Page 18



Pre-Built Type 9

Page 20



Wheelie Wall is an exciting new way to enhance the user control of any interior space through division, display and adaptability.

Choose from nine pre-built configurations to create the space you need, be it small presentation areas to biophilic zones, or to simply add mobile displays or storage to a flexible area.

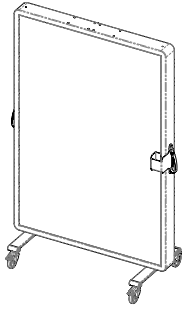
Housed within a hand-crafted tubular steel framework, and fully mobile via tactile leather handles and easy to move castors, the **Wheelie Wall** infill selection includes drywipe surfaces, pinnable acoustic panels, TV mounts, open shelving, planter trays and coat rails together with an optional handy low level storage cupboard in a selection of popular MFC finishes.

Packaged on a dedicated pallet for protection and ease of transportation, your selected **Wheelie Wall** is ready for use the moment it arrives, ready to transform your space into an agile working environment fit for any situation.



Wheelie Wall - Pre-built TYPE 01

Thumbnail	Code	Description	Price
-----------	------	-------------	-------



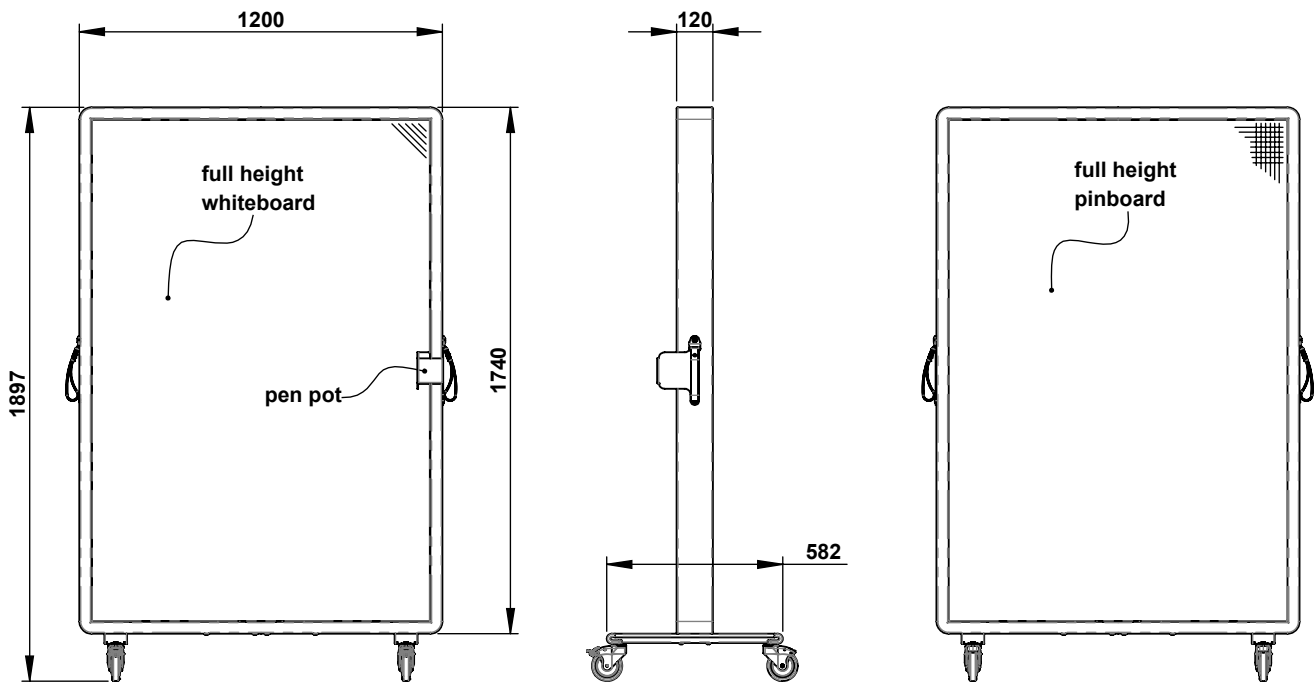
WW-01-ZZ Wheelie Wall Pre-built type 01

£1,022.00

Side 1 - Full height whiteboard
Side 2 - Full height pinboard

See page 23 for fabric options.

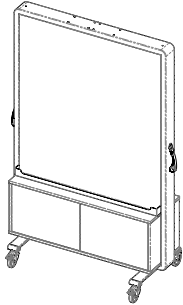
- Pen pot included
- Leather handles
- Locking castors





Wheelie Wall - Pre-built TYPE 02

Thumbnail	Code	Description	Price
-----------	------	-------------	-------

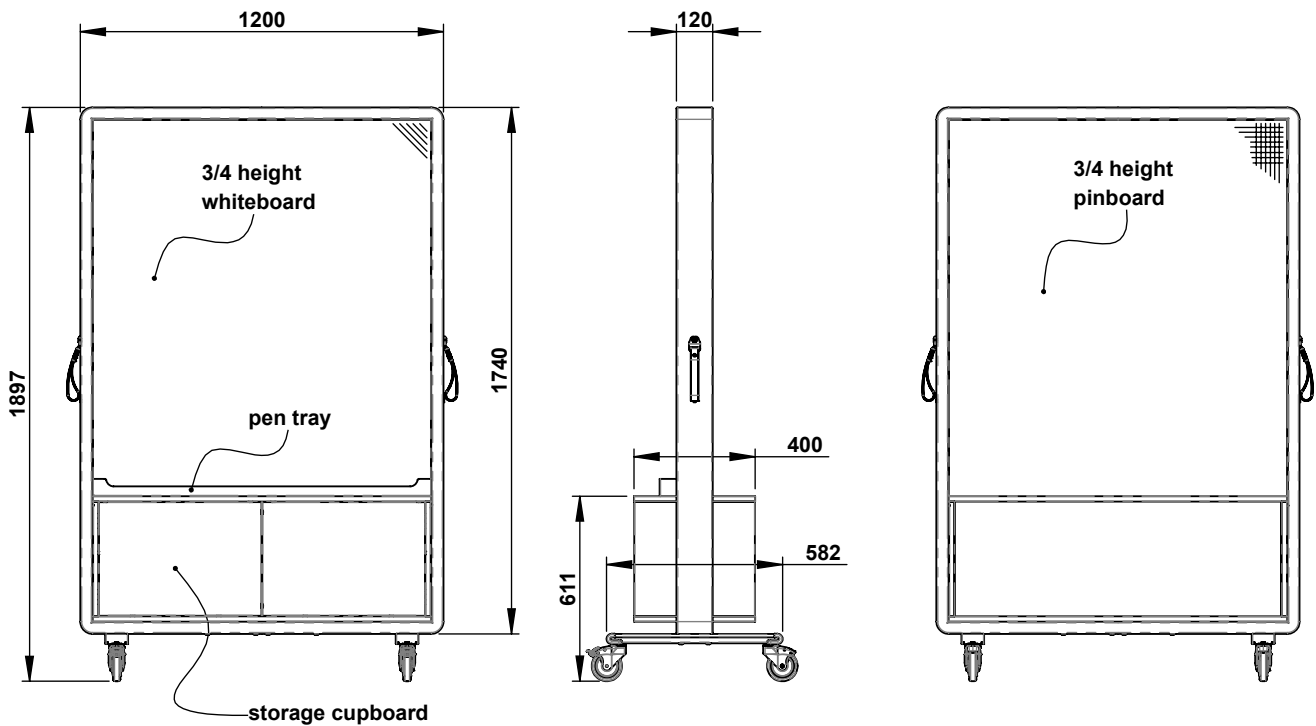


WW-02-OA	Wheelie Wall Pre-built type 02 - Hamilton Oak MFC	£1,185.00
WW-02-SO	Wheelie Wall Pre-built type 02 - Sorano Oak MFC	£1,185.00
WW-02-GR	Wheelie Wall Pre-built type 02 - Carbon Grey MFC	£1,185.00
WW-02-WH	Wheelie Wall Pre-built type 02 - White MFC	£1,185.00
WW-02-BK	Wheelie Wall Pre-built type 02 - Black MFC	£1,185.00

Side 1 - 3/4 height whiteboard
 Side 2 - 3/4 height pinboard
 Low Level Storage Cupboard

See page 23 for MFC and fabric options.

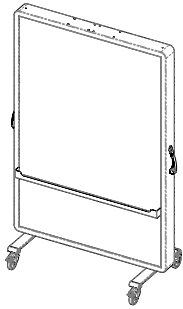
- Pen tray included
- Leather handles
- Locking castors





Wheelie Wall - Pre-built TYPE 03

Thumbnail	Code	Description	Price
-----------	------	-------------	-------



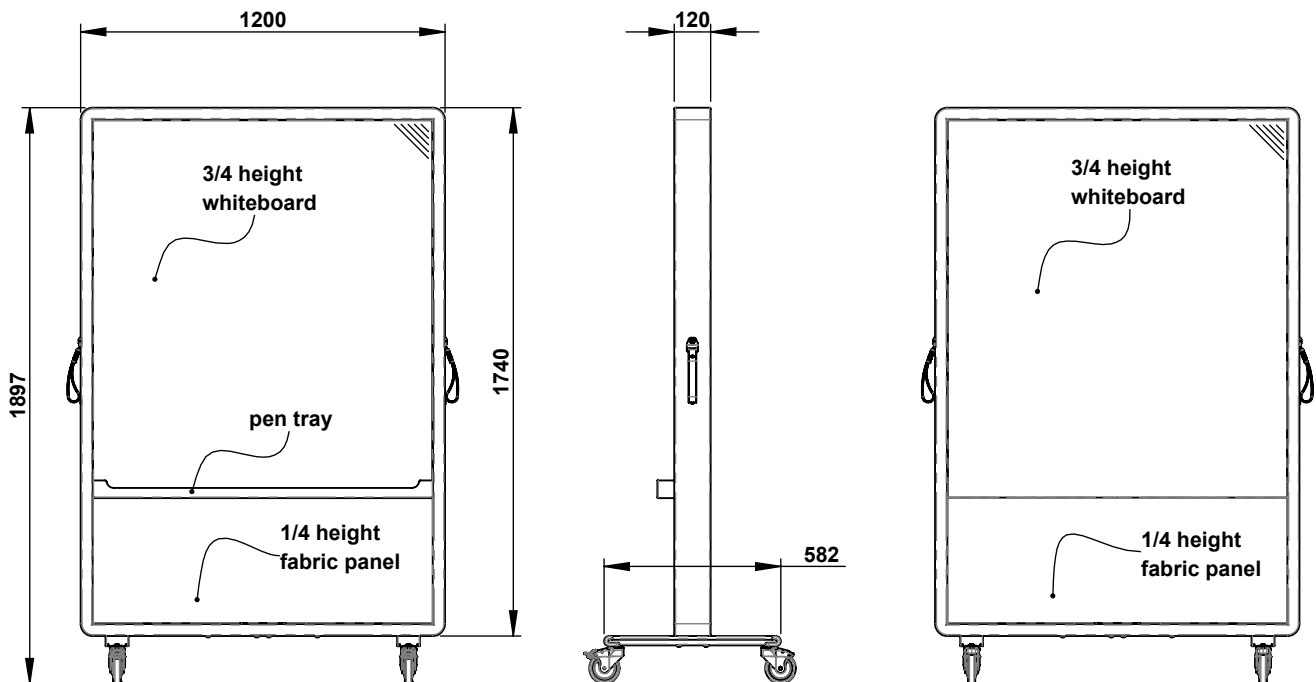
WW-03-ZZ Wheelie Wall Pre-built type 03

£973.00

Side 1 - 3/4 height whiteboard / 1/4 fabric panel
 Side 2 - 3/4 height whiteboard / 1/4 fabric panel

See page 23 for fabric options.

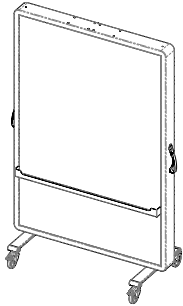
- Pen tray included
- Leather handles
- Locking castors





Wheelie Wall - Pre-built TYPE 04

Thumbnail	Code	Description	Price
-----------	------	-------------	-------

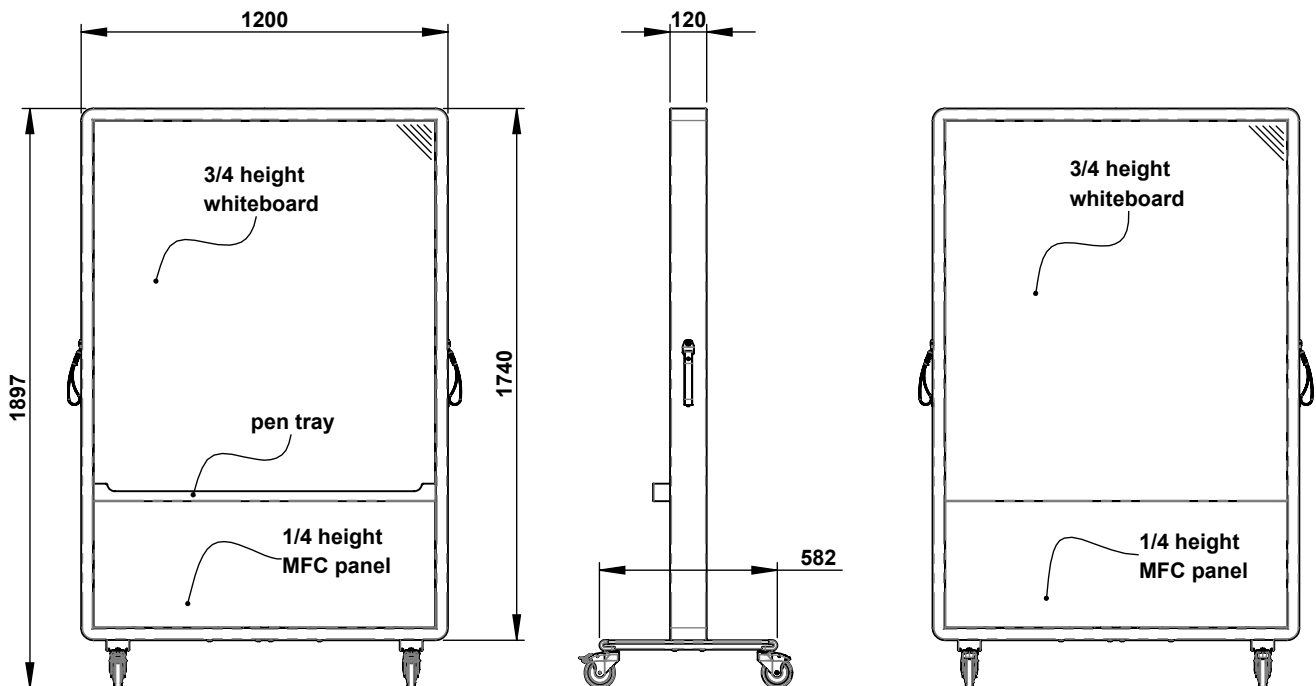


WW-04-OA	Wheelie Wall Pre-built type 04 - Hamilton Oak MFC	£943.00
WW-04-SO	Wheelie Wall Pre-built type 04 - Sorano Oak MFC	£943.00
WW-04-GR	Wheelie Wall Pre-built type 04 - Carbon Grey MFC	£943.00
WW-04-WH	Wheelie Wall Pre-built type 04 - White MFC	£943.00
WW-04-BK	Wheelie Wall Pre-built type 04 - Black MFC	£943.00

Side 1 - 3/4 height whiteboard / 1/4 MFC panel
 Side 2 - 3/4 height whiteboard / 1/4 MFC panel

See page 23 for MFC options.

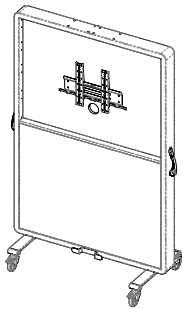
- Pen tray included
- Leather handles
- Locking castors





Wheelie Wall - Pre-built TYPE 05

Thumbnail	Code	Description	Price
-----------	------	-------------	-------



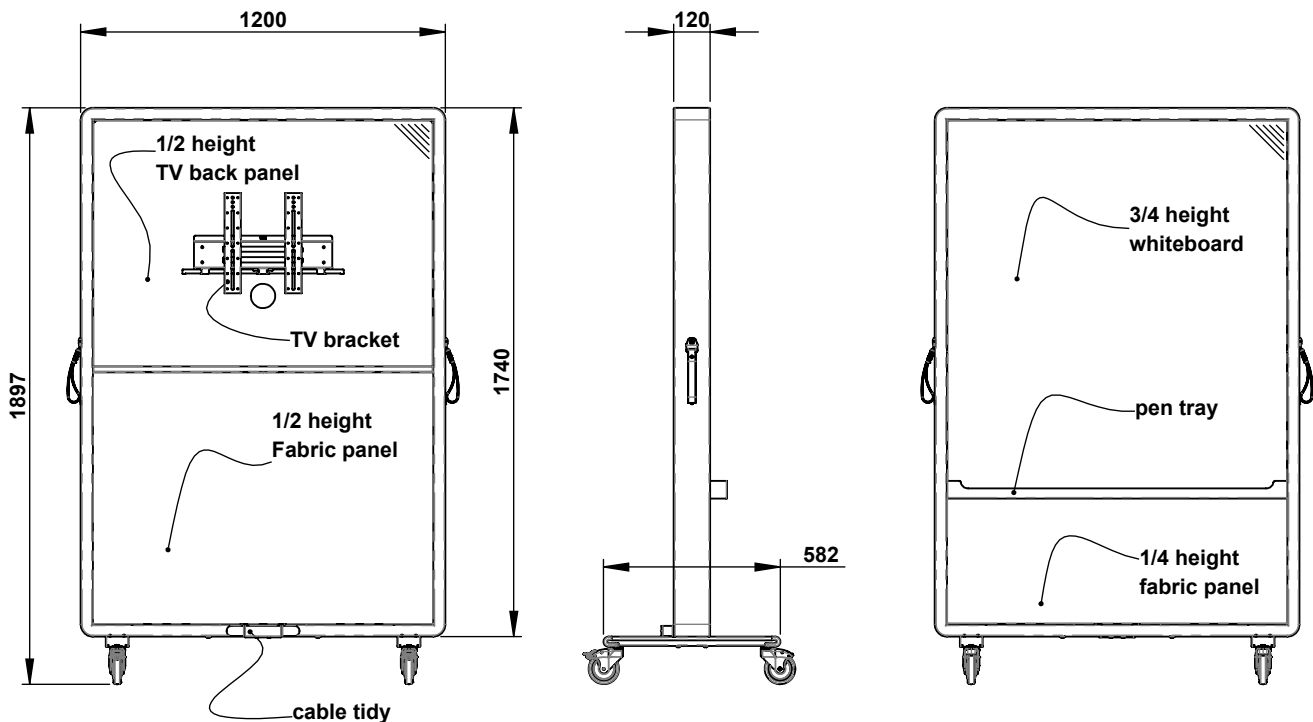
WW-05-ZZ Wheelie Wall Pre-built type 05

£1,024.00

Side 1 - 1/2 TV mount, 1/2 fabric panel
 Side 2 - 3/4 height whiteboard, 1/4 fabric panel

See page 23 for fabric options.

- TV bracket included (fits screen size up to 48")
- Pen tray included
- Leather handles
- Locking castors





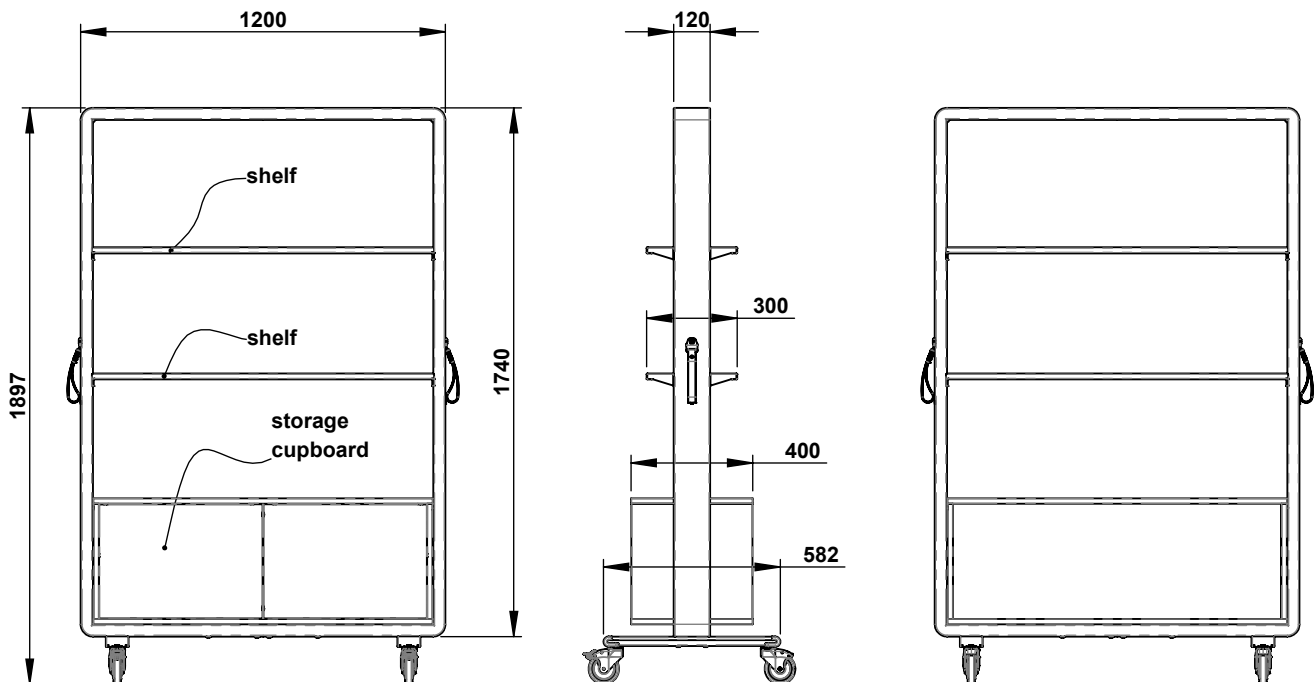
Wheelie Wall - Pre-built TYPE 06

Thumbnail	Code	Description	Price
	WW-06-OA	Wheelie Wall Pre-built type 06 - Hamilton Oak MFC	£750.00
	WW-06-SO	Wheelie Wall Pre-built type 06 - Sorano Oak MFC	£750.00
	WW-06-GR	Wheelie Wall Pre-built type 06 - Carbon Grey MFC	£750.00
	WW-06-WH	Wheelie Wall Pre-built type 06 - White MFC	£750.00
	WW-06-BK	Wheelie Wall Pre-built type 06 - Black MFC	£750.00
Two Fixed Steel Shelves / Low Level Storage Cupboard			

See page 23 for MFC options.

- Leather handles
- Locking castors

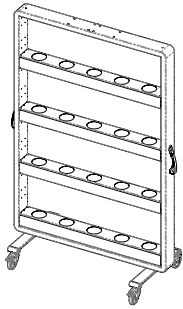
Thumbnail	Code	Description	Price
	WHWL-BOOKENDS	Pack of 5 Bookends	£30.00





Wheelie Wall - Pre-built TYPE 07

Thumbnail	Code	Description	Price
-----------	------	-------------	-------

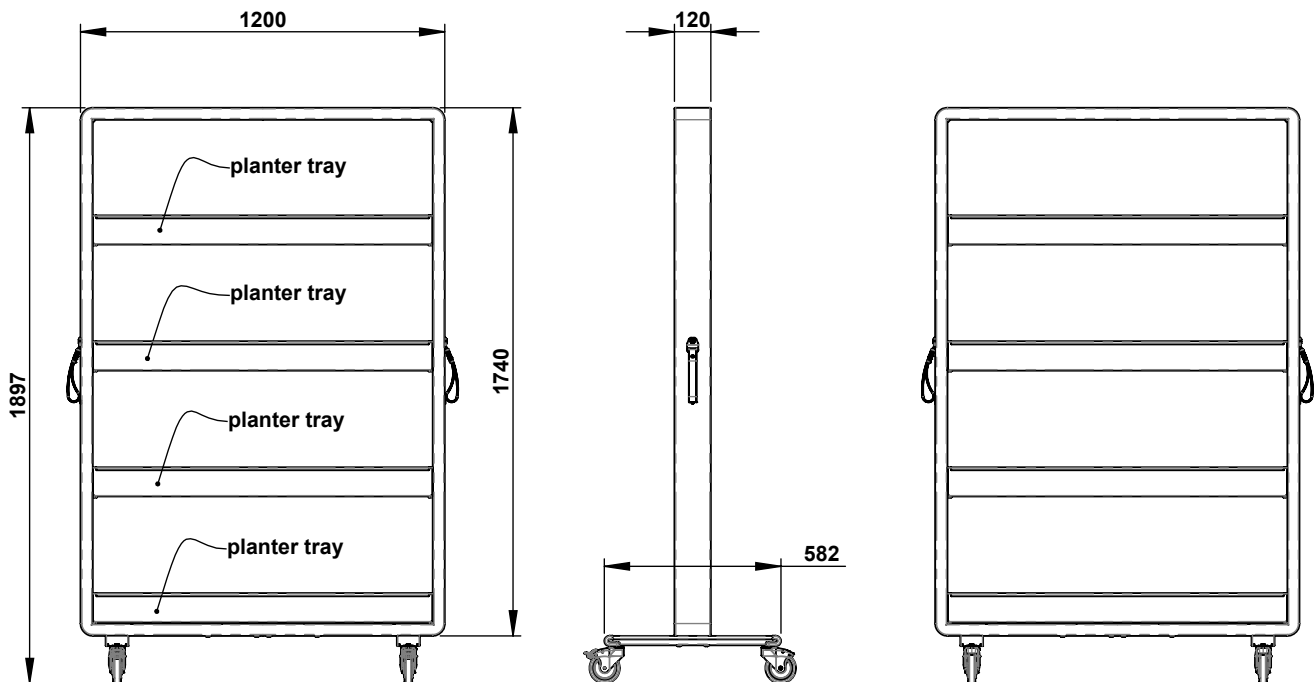


WW-07-ZZ Wheelie Wall Pre-built type 07

£818.00

Four planter troughs, each with five pot positions.
(Waterproof liners included)

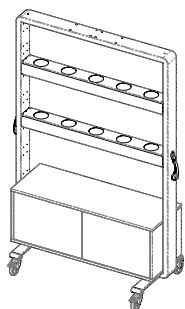
- Leather handles
- Locking castors





Wheelie Wall - Pre-built TYPE 08

Thumbnail	Code	Description	Price
-----------	------	-------------	-------

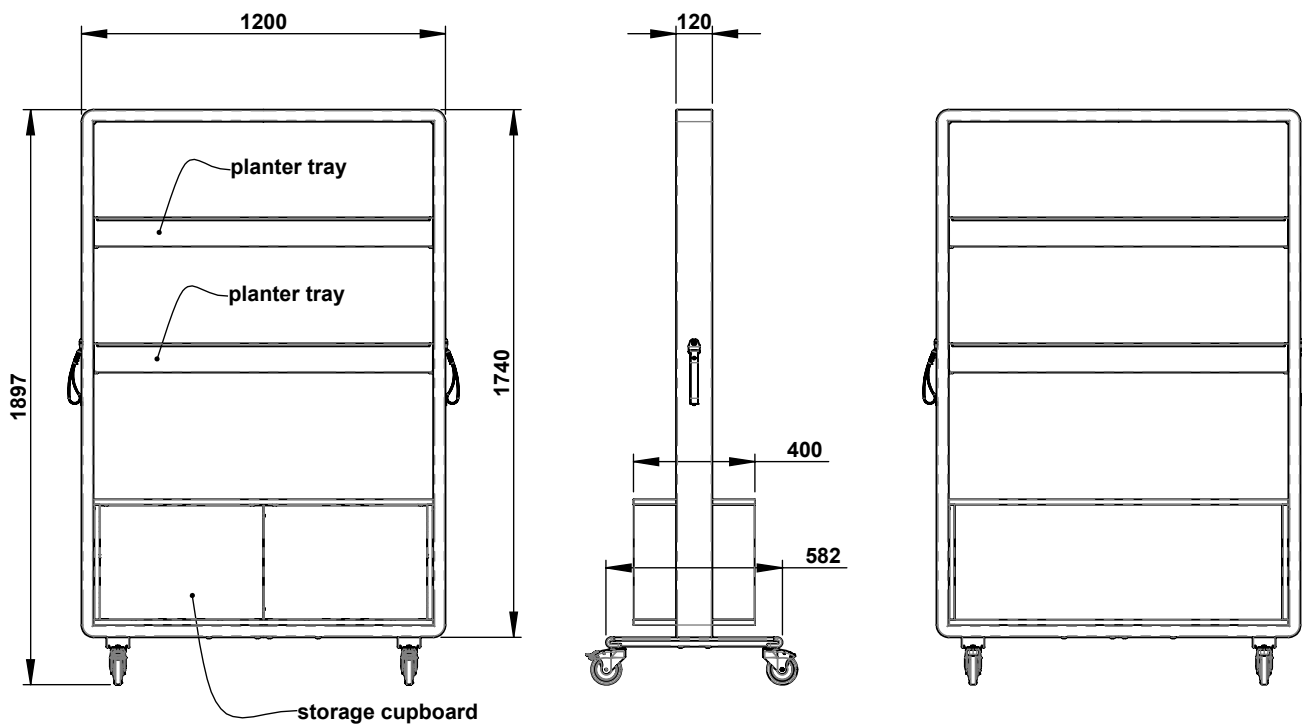


WW-08-OA	Wheelie Wall Pre-built type 08 - Hamilton Oak MFC	£844.00
WW-08-SO	Wheelie Wall Pre-built type 08 - Sorano Oak MFC	£844.00
WW-08-GR	Wheelie Wall Pre-built type 08 - Carbon Grey MFC	£844.00
WW-08-WH	Wheelie Wall Pre-built type 08 - White MFC	£844.00
WW-08-BK	Wheelie Wall Pre-built type 08 - Black MFC	£844.00

Two planter troughs, each with five pot positions.
 (Waterproof liners included) Low level storage cupboard.

See page 23 for MFC options.

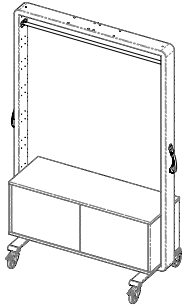
- Leather handles
- Locking castors





Wheelie Wall - Pre-built TYPE 09

Thumbnail	Code	Description	Price
-----------	------	-------------	-------



WW-09-OA	Wheelie Wall Pre-built type 09 - Hamilton Oak MFC	£692.00
WW-09-SO	Wheelie Wall Pre-built type 09 - Sorano Oak MFC	£692.00
WW-09-GR	Wheelie Wall Pre-built type 09 - Carbon Grey MFC	£692.00
WW-09-WH	Wheelie Wall Pre-built type 09 - White MFC	£692.00
WW-09-BK	Wheelie Wall Pre-built type 09 - Black MFC	£692.00

Hanging Rail. (hangers sold separately)
Low level storage cupboard.

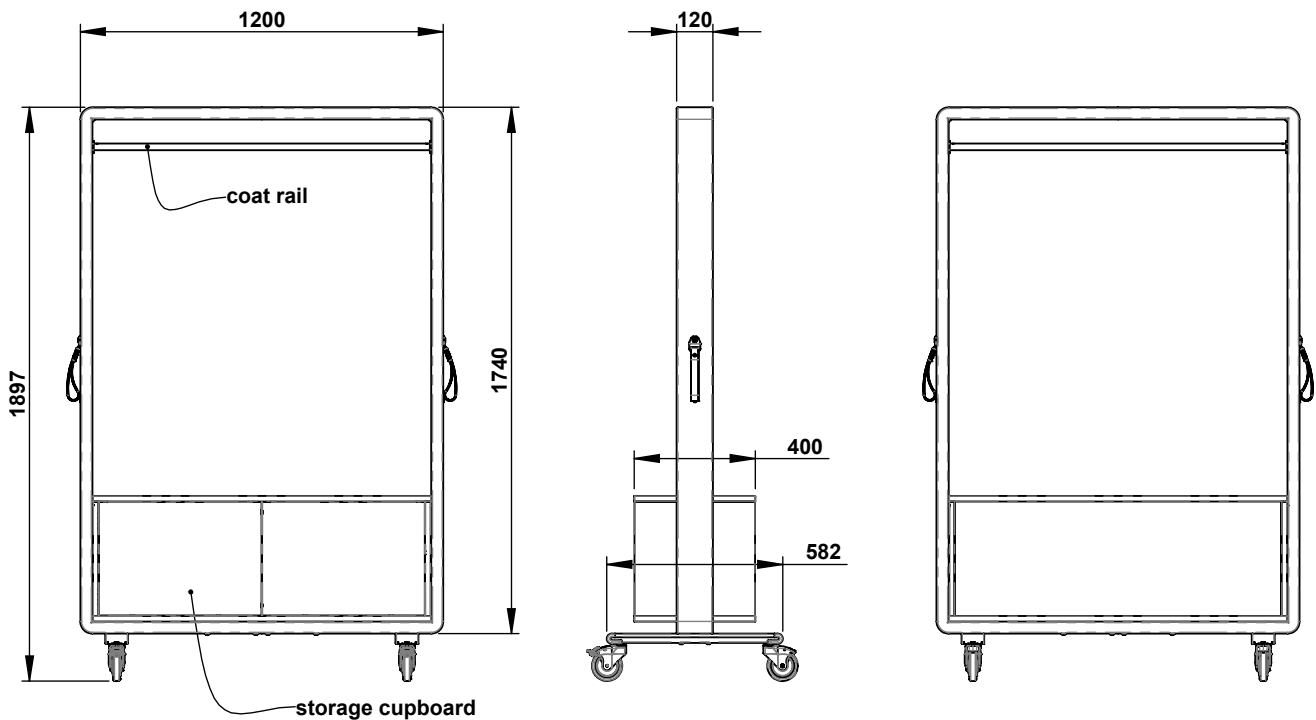
See page 23 for MFC options.

- Leather handles
- Locking castors

Thumbnail	Code	Description	Price
-----------	------	-------------	-------



WHWL-HANGERS	Pack of 5 Coat Hangers	£32.00
---------------------	------------------------	--------







Finish Options

MFC

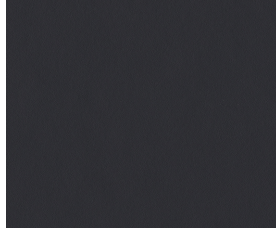
MFC finish options are Black, White, Carbon Grey, Natural Hamilton Oak and Light Sorano Oak.



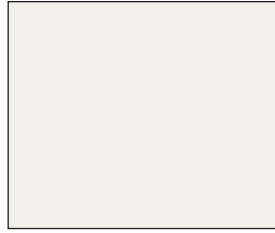
Natural Hamilton Oak (H3303)



Light Sorano Oak (H1334)



Carbon Grey (U968)



White (W1000)

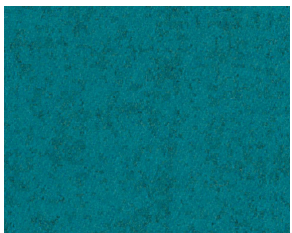


Black (U999)

Fabrics

Band Y Stock Colours

Band Y in Camira Blazer Lite is available in the following stock fabrics ONLY:



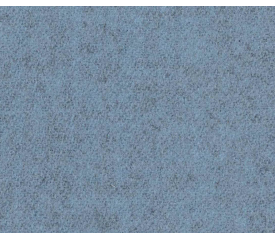
Balance LTH41



Buddha LTH56



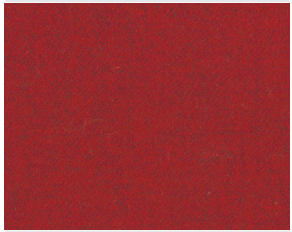
Cuddle LTH62



Dainty LTH64



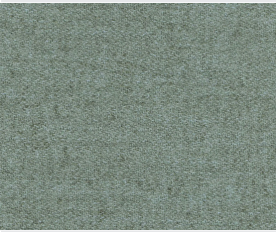
Daydream LTH46



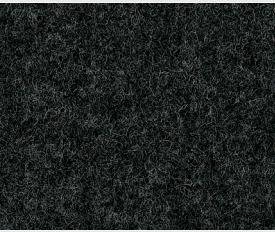
Devoted LTH58



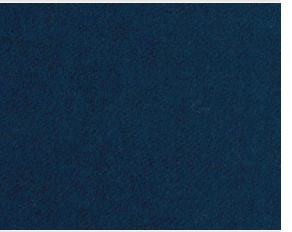
Happy LTH55



Harmony LTH63



Haven LTH40



Mood LTH44



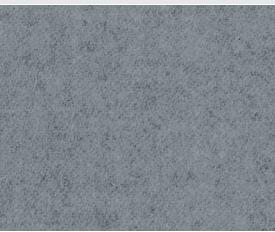
Retreat LTH39



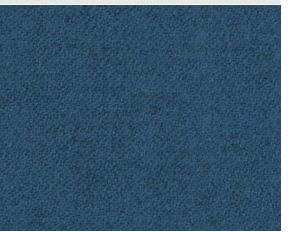
Solace LTH70



Tender LTH53



True LTH61



Wish LTH67

Non stock Camira foam-backed fabrics are available upon request and subject to MOQ's and extended lead times.

Please refer to Camira's Blazer lite swatch card for accurate colour representation.

PLEASE NOTE: THERE MAY BE A SUBTLE SHADE DIFFERENCE IN THE FABRIC BETWEEN SCREEN SIZE 1000 - 1600 DUE TO PATTERN CUTTING ORIENTATION.

Statements

Specification

WHEELIE WALL frames and components are designed and manufactured for use within the most demanding of environments (including the education sector).

WHEELIE WALL frames and components are constructed from a range of medium to heavy gauge mild steel sheet and tubular sections, to create a rigid and robust structure.

WHEELIE WALL pre-built configurations are supplied fully assembled, and packed on an individual pallet for protection and to facilitate ease of transportation.

Maintenance

WHEELIE WALL frames and components are considered to be maintenance free, however the following should be observed during the frames lifetime:-

Where cleaning of the frame is required a mild detergent solution should be used. The use of harsh abrasives, acids, alkalis or bleaching products is not recommended.

Following these simple maintenance procedures will enable trouble free use of the frame. In the unlikely event any problems do occur, then please contact Millar West.

Environmental Statement

Please study the chart below detailing our recycled content figures:

Material	Recycled Content %	Post Consumer Content %	Post Industrial %	Can be Recycled %
STEEL TUBE	55%	100%	100%	YES
STEEL SHEET	55%	100%	100%	YES
PLASTIC	10%	90%	90%	YES
CARDBOARD	80%	100%	100%	YES
PLASTIC	50%	100%	100%	YES
PALLETS	100%	100%	100%	YES
CHIPBOARD	25%	100%	100%	YES
HARDWOOD	0%	100%	100%	YES